

# OPERATING INSTRUCTIONS AND OWNER'S MANUAL

## MR. HEATER

MODEL

MH55FAV, MH60FAV, MH85FAV,  
MH125FAV  
PA55FAV, PA85FAV, PA125FAV

### READ INSTRUCTIONS CAREFULLY:

Read and follow all instructions. Place instructions in a safe place for future reference. Do not allow anyone who has not read these instructions to assemble, light, adjust or operate the heater.

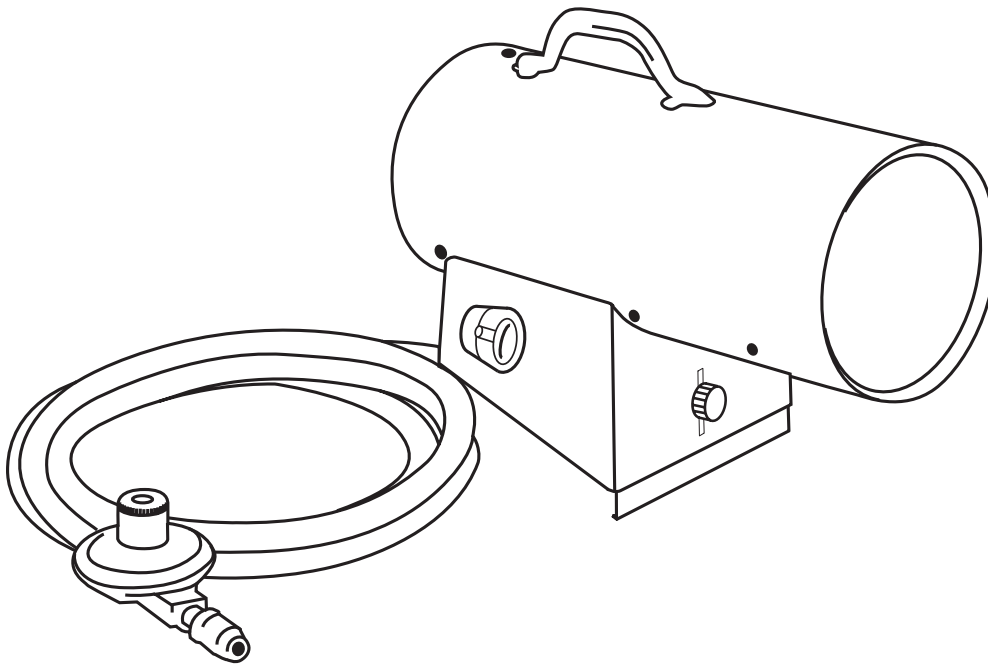
## HEATSTAR

MODEL

HS55FAV, HS85FAV, HS125FAV

## FORCED AIR PROPANE CONSTRUCTION HEATER

For model serial numbers, see page E10.



## LANGUAGES

### ENGLISH

Pages E1 — E10

### SPANISH

Pages S1 — S11

### FRENCH

Pages F1 — F11

**⚠ WARNING: If the information in this manual is not followed exactly, a fire or explosion may result causing property damage, personal injury or loss of life.**

- Do not store or use gasoline or other flammable vapors and liquids in the vicinity of this or any other appliance.
- An LP cylinder not connected for use shall not be stored in the vicinity of this or any other appliance.
- WHAT TO DO IF YOU SMELL GAS
  - Do not try to light appliance.
  - Extinguish any open flame.
  - Shut off gas to appliance.
- Service must be performed by a qualified service agency.

This is an unvented gas-fired portable heater. It uses air (oxygen) from the area in which it is used. Adequate combustion and ventilation air must be provided. Refer to page 3.

**⚠ WARNING:** YOUR SAFETY IS IMPORTANT TO YOU AND TO OTHERS, SO PLEASE READ THESE INSTRUCTIONS BEFORE YOU OPERATE THIS HEATER.

### GENERAL HAZARD WARNING:

- ⚠ FAILURE TO COMPLY WITH THE PRECAUTIONS AND INSTRUCTIONS PROVIDED WITH THIS HEATER, CAN RESULT IN DEATH, SERIOUS BODILY INJURY AND PROPERTY LOSS OR DAMAGE FROM HAZARDS OF FIRE, EXPLOSION, BURN, ASPHYXIATION, CARBON MONOXIDE POISONING, AND/OR ELECTRICAL SHOCK.
- ⚠ ONLY PERSONS WHO CAN UNDERSTAND AND FOLLOW THE INSTRUCTIONS SHOULD USE OR SERVICE THIS HEATER.
- ⚠ IF YOU NEED ASSISTANCE OR HEATER INFORMATION SUCH AS AN INSTRUCTIONS MANUAL, LABELS, ETC. CONTACT THE MANUFACTURER.

**⚠ WARNING:** NOT FOR HOME OR RECREATIONAL VEHICLE USE

**⚠ WARNING:** FIRE, BURN, INHALATION, AND EXPLOSION HAZARD. KEEP SOLID COMBUSTIBLES, SUCH AS BUILDING MATERIALS, PAPER OR CARDBOARD, A SAFE DISTANCE AWAY FROM THE HEATER AS RECOMMENDED BY THE INSTRUCTIONS NEVER USE THE HEATER IN SPACES WHICH DO OR MAY CONTAIN VOLATILE OR AIRBORNE COMBUSTIBLES, OR PRODUCTS SUCH AS GASOLINE, SOLVENTS, PAINT THINNER, DUST PARTICLES OR UNKNOWN CHEMICALS.

**The State of California requires the following warning:**

**⚠ WARNING:** COMBUSTION BY-PRODUCTS PRODUCED WHEN USING THIS PRODUCT CONTAIN CARBON MONOXIDE, A CHEMICAL KNOWN TO THE STATE OF CALIFORNIA TO CAUSE CANCER AND BIRTH DEFECTS (OR OTHER REPRODUCTIVE HARM).

## CONTENTS

|  |      |
|--|------|
| HEATER SPECIFICATIONS.....                           | E-2  |
| WARNINGS.....  | E-2  |
| OPERATING PRECAUTIONS.....                           | E-3  |
| SAFETY PRECAUTIONS.....                              | E-4  |
| ODOR FADE WARNING.....                               | E-5  |
| OPERATING INSTRUCTIONS.....                          | E-6  |
| SERVICING.....                                       | E-6  |
| SIZE AND CAPACITY OF PROPANE CYLINDERS REQUIRED..... | E-7  |
| WIRING DIAGRAMS.....                                 | E-8  |
| 55FAV PARTS.....                                     | E-9  |
| 60FAV PARTS.....                                     | E-9  |
| 85FAV PARTS.....                                     | E-9  |
| 125FAV PARTS.....                                    | E-9  |
| WARRANTY.....  | E-11 |

## SPECIFICATIONS

Type of Gas:..... For use with Propane Only

Gas Supply Pressure

to regulator ..... Max.: Bottle Pressure

to regulator ..... Min.: 5 psig (34.5 kPa)

regulator out ..... 27.5" W.C. (6.84 kPa)

Electrical Input:..... 115V, 60 Hz, 1Ø, 3a

Min. Operating Voltage: 100V

Ignition:..... Direct Spark

Primary

Flame Control:..... Thermocouple Operated Gas Valve

High Temperature

Control:..... 240°F (116°C)

Min. Ambient Temp. Rating 0°F (-17.8°C)

## SPECIFICATIONS

| Model:                  | 55FAV                  | 60FAV                  | 85FAV                  | 125FAV                  |
|-------------------------|------------------------|------------------------|------------------------|-------------------------|
| Rating:                 | 30,000 - 55,000 Btu/Hr | 30,000 - 65,000 Btu/Hr | 50,000 - 85,000 Btu/Hr | 75,000 - 125,000 Btu/Hr |
|                         | (8.8 - 16.1 kW)        | (8.8 - 19.0 kW)        | (14.6 - 25.0 kW)       | (21.9 - 36.6 kW)        |
| Fuel Consumption:       | 1.4-2.5 #/hr           | 1.4 - 3.0 #/hr         | 2.3 - 3.9 #/hr         | 3.5 - 5.8 #/hr          |
|                         | (.64-1.1 kg/hr)        | (0.64 - 1.36 kg/hr)    | (1.04 - 1.77 kg/hr)    | (1.59 - 2.63 kg/hr)     |
| Fuel Ori□ce Port No.:   | 18                     | 18                     | 18                     | 18                      |
| Fuel Ori□ce Port Size:  | 0.0196"                | 0.0247"                | 0.0236"                | 0.0295"                 |
|                         | (0.50mm)               | (0.52mm)               | (0.60mm)               | (0.75mm)                |
| Heated Air Output:      | 300 cfm                | 300 cfm                | 300 cfm                | 350 cfm                 |
|                         | (8.49 cmm)             | (8.49 cmm)             | (8.49 cmm)             | (9.91 cmm)              |
| Average Air Temp. Rise: | 200°F (111°C)          | 200°F (111°C)          | 200°F (111°C)          | 400°F (232°C)           |

## OPERATING PRECAUTIONS

This is a propane, direct-fired, forced air heater. It's intended use is primarily temporary heating of buildings under construction, alteration or repair.

Propane is heavier than air. If propane leaks from a connection or fitting, it sinks to the floor, collecting there with the surrounding air, forming a potentially explosive mixture. Obviously, propane leaks should be avoided, so set up the propane supply with utmost care. Read enclosed Odor Fade and Propane Sheet for additional information about detecting propane leaks. Leak check new connections or reconnections with a soap and water solution and follow all connection instructions herein. Also, ask your propane dealer for advice on the propane application and supply installation and ask him to check it if there are any questions.

This heater was designed and certified for use as a construction heater in accordance with ANSI Z83.7a/CGA 2.14a-2007. Check with your local fire safety authority if you have any questions about your applications. Other standards govern the use of fuel gases and heat producing products in specific applications. Your local authority can advise you about these.

Direct-Fired means that all of the combustion products enter the heated space. Even though this heater operates very close to 100 percent combustion efficiency, it still produces small amounts of carbon monoxide. Carbon monoxide (called CO) is toxic. We can tolerate small amounts but not a lot. CO can build up in a heated space and failure to provide adequate ventilation could result in death. The symptoms of inadequate ventilation are:

- headache
- dizziness
- burning eyes and nose
- nausea
- dry mouth or sore throat

So, be sure to follow advice about ventilation in these operating instructions.

Forced Air means that a blower or fan pushes the air through the heater. Proper combustion depends upon this air flow; therefore, the heater must not be revised, modified or operated with parts removed or missing. Likewise, safety systems must not be circumvented or modified in order to operate the heater.

When the heater is to be operated in the presence of other people the user is responsible for properly acquainting those present with the safety precautions and instructions, and of the hazards involved.

# SAFETY PRECAUTIONS

1. Check the heater thoroughly for damage. DO NOT operate a damaged heater.
2. DO NOT modify the heater or operate a heater which has been modified from its original condition.
3. Use only propane gas.
4. Use only VAPOR WITHDRAWAL propane supply. If there is any question about vapor withdrawal, ask your propane dealer.
5. Mount the propane cylinders vertically (shutoff valve up). Secure them from falling or being knocked over and protect them from damage.
6. Locate propane containers at least (USA) 7 ft. (2.13m), (Canada) 10 ft. (3m) from the heater and **do not** direct exhaust toward containers.
7. **IMPORTANT** Use only the hose and regulator assembly provided with the heater. Match the color stripe on the hangtag attached to the hose assembly with the color on the label located near the propane inlet fitting on the heater. Inspect hose assembly before each use of the heater. If there is excessive abrasion or wear, or hose is cut, replace with hose assembly listed on parts list before using heater.
8. For indoor use only. Area must be well ventilated. **Figure 1.** (also see "Operating Precautions").
9. If at any time gas odor is detected, IMMEDIATELY DISCONTINUE operation until the source of gas has been located and corrected. Read enclosed Odor fade and Propane Sheet for additional information about detecting propane leaks.
10. Install the heater such that it is not directly exposed to water spray, rain and/or dripping water.
11. Maintain minimum clearance from normal combustible material (like paper). **Figure 2.**
12. Due to the high surface and exhaust temperatures, adults and children must observe clearances to avoid burns or clothing ignition.
13. Operate only on a stable, level surface.
14. Do not use with duct work. Do not restrict inlet or exit.
15. Use only the electrical power specified. The electrical connection and grounding must comply with National Electrical Code - ANSI/NFPA 70 (USA) and CSA C22.1 Canadian Electrical Code, Part 1 (Canada).
16. Use only a properly grounded 3-prong receptacle or extension cord.
17. Do not move, handle or service while hot or burning.
18. **Do not adjust the heater combustion tube elevation while heater is running or hot. Adjustments to elevation should only be made after the heater has cooled to touch.**
19. Use only in accordance with local codes or, in the absence of local codes, with the Standard for the Storage and Handling of Liquefied Petroleum Gases ANSI/NFPA 58 and CSA B149.1, Natural Gas and Propane Installation Code.

**Figure 1**

| VENTILATION: Minimum openings required |                         |                      |
|--|-------------------------|----------------------|
| Heater                                 | Opening near floor      | Opening near ceiling |
| Forced air (55, 60).....               | 1 ft <sup>2</sup> ..... | 1 ft <sup>2</sup>    |
| Forced air (85, 125) .....             | 2 ft <sup>2</sup> ..... | 2 ft <sup>2</sup>    |

**Figure 2**

| MINIMUM CLEARANCE: From normal combustible material |                            |
|---|----------------------------|
| Clearance   | 55, 60, 85, 125 Forced Air |
| From floor.....                                     | 0 ft                       |
| From outlet.....                                    | 6 ft                       |
| From sides .....                                    | 2 ft                       |
| From top.....                                       | 3 ft                       |

Locate 10 ft. from canvas or plastic tarpaulins or similar coverings and secure them to prevent flapping or movement due to wind action.

## ODOR FADE WARNING

### WARNING

#### ⚠️ Asphyxiation Hazard

- Do not use this heater for heating human living quarters.
- Do not use in unventilated areas.
- The flow of combustion and ventilation air must not be obstructed.
- Proper ventilation air must be provided to support the combustion air requirements of the heater being used.
- Refer to the specification section of the heater's manual, heater data plate, or contact the factory to determine combustion air ventilation requirements of the heater.
- Lack of proper ventilation air will lead to improper combustion.
- Improper combustion can lead to carbon monoxide poisoning leading to serious injury or death. Symptom of carbon monoxide poisoning can include headaches, dizziness and difficulty in breathing.

## FUEL GAS ODOR

LP gas and natural gas have man-made odorants added specifically for detection of fuel gas leaks.

**If a gas leak occurs you should be able to smell the fuel gas. Since Propane (LP) is heavier than air you should smell for the gas odor low to the floor. ANY GAS ODOR IS YOUR SIGNAL TO GO INTO IMMEDIATE ACTION!**

- Do not take any action that could ignite the fuel gas. Do not operate any electrical switches. Do not disconnect any power supply or extension cords. Do not light matches or any other source of flame. Do not use your telephone.
- Get everyone out of the building and away from the area immediately.
- Close all propane (LP) gas tank or cylinder fuel supply valves, or the main fuel supply valve located at the meter if you use natural gas.
- Propane (LP) gas is heavier than air and may settle in low areas. When you have reason to suspect a propane leak, keep out of all low areas.
- Use your neighbor's phone and call your fuel gas supplier and your fire department. Do not re-enter the building or area.
- Stay out of the building and away from the area until declared safe by the firefighters and your fuel gas supplier.
- FINALLY, let the fuel gas service person and the firefighters check for escaped gas. Have them air out the building and area before you return. Properly trained service people must repair any leaks, check for further leakages, and then relight the appliance for you.

## ODOR FADING - NO ODOR DETECTED

- Some people cannot smell well. Some people cannot smell the odor of the man-made chemical added to propane (LP) or natural gas. You must determine if you can smell the odorant in these fuel gases.
- Learn to recognize the odor of propane (LP) gas and natural gas. Local propane (LP) gas dealers will be more than happy to give you a scratch and sniff pamphlet. Use it to become familiar with the fuel gas odor.
- Smoking can decrease your ability to smell. Being around an odor for a period of time can affect your sensitivity to that particular odor. Odors present in animal confinement buildings can mask fuel gas odor.
- **The odorant in propane (LP) gas and natural gas is colorless and the intensity of its odor can fade under some circumstances.**
- If there is an underground leak, the movement of gas through the soil can filter the odorant.
- Propane (LP) gas odor may differ in intensity at different levels. Since Propane (LP) gas is heavier than air, there may be more odor at lower levels.
- **Always be sensitive to the slightest gas odor.** If you continue to detect any gas odor, no matter how small, treat it as a serious leak. Immediately go into action as discussed previously.

## ATTENTION - CRITICAL POINTS TO REMEMBER!

- Propane (LP) gas has a distinctive odor. Learn to recognize these odors. (Reference Fuel Gas Odor and Odor Fading sections above.)
- Even If you are not property trained in the service and repair of the heater, ALWAYS be consciously aware of the odors of propane (LP) gas and natural gas.
- If you have not been properly trained in repair and service of propane (LP) gas then do not attempt to light heater, perform service or repairs, or make any adjustments to the heater on the propane (LP) gas fuel system.
- A periodic sniff test around the heater or at the heater's joints; i.e. hose, connections, etc., is a good safety practice under any conditions. If you smell even a small amount of gas, CONTACT YOUR FUEL GAS SUPPLIER IMMEDIATELY. DO NOT WAIT!

## OPERATING INSTRUCTIONS

### PREPARING FOR OPERATION

1. Check the heater for possible shipping damage. If any is found, *immediately* notify the factory.
2. Follow all of the "Precautions".
3. Connect the POL fitting of hose and regulator assembly to the propane cylinder by rotating the POL nut counterclockwise into the propane cylinder's valve outlet and securely tighten with a wrench.
4. Connect the hose to the heater by rotating the hose fitting clockwise.
5. Securely tighten all gas connections.
6. Open the cylinder's gas valve and check all gas connections with a soap and water solution. **DO NOT USE A FLAME.**
7. Connect power cord to well-grounded 115V, 60 Hz, 1Ø source of power.
8. When using an extension cord, make certain that it is a 3-wire (grounded) cord of proper wire size.

### START

1. Before heater ignition, always allow heater fan (blower) to run for 20 seconds to purge fuel.
2. Slowly open the main valve at propane cylinder.
3. Depress the fuel valve button to light the heater.
4. After the heater lights, keep the gas valve button depressed for 15 seconds then release and the heater will continue to operate.
5. Adjust burn rate by setting control knob to desired level.
6. Igniter continues to fire as long as power cord is plugged in.
  - a) Igniter sparks continually.
7. No thermostat usable with these units.

### STOP

1. Securely close valve on the propane cylinder.
2. Continue to operate heater until all fuel in the hose has burned.
3. Unplug the power cord.

### RESTART AFTER SAFETY SHUTDOWN

1. Securely close valve at propane cylinder. Unplug heater.
2. Wait 5 minutes.
3. Restart following "Start" procedure.

## MAINTENANCE AND STORAGE

1. The heater should be inspected before each use, and at least annually by a qualified person.
2. Before each use, check the soft "O" ring seal at the bullnose of the POL fitting. If the "O" ring is cut, scuffed, or otherwise damaged, replace it with part number 73786.
3. Turn off the gas at the LP-gas supply cylinder(s) when the heater is not in use.
4. When the heater is to be stored indoors, the connection between the LP-gas supply cylinder(s) and the heater must be disconnected and the cylinder(s) removed from the heater and stored out of doors and in accordance with Chapter 5 of the standard for Storage and Handling of Liquefied Petroleum Gases ANSI/NFPA 58 and CSA B149.1, Natural Gas and Propane Installation Code.

## SERVICING

A hazardous condition may result if a heater is used that has been modified or is not functioning properly. When the heater is working properly:

- The flame is contained within the heater.
- The flame is essentially blue with perhaps some yellow tipping.
- There is no strong disagreeable odor, eye burning or other physical discomfort.
- There is no smoke or soot internal or external to the heater.
- There are no unplanned or unexplained shut downs of the heater.

The parts lists and wiring diagram show the heater as it was constructed. Do not use a heater which is different from that shown. In this regard, use only the hose, regulator and cylinder connection fitting (called a POL fitting) supplied with the heater. **IMPORTANT** Match the color stripe on the hangtag attached to the hose assembly with the color on the label located near the propane inlet fitting on the heater. Do not use alternates. For this heater, the regulator must be set as shown in "specifications". If there is any uncertainty about the regulator setting, have it checked.

A heater which is *not* working right must be repaired, but *only* by a trained, experienced service person.

In-warranty products will be repaired with no charge for either parts or labor. Please include a brief statement indicating date, place of purchase, the nature of the problem and proof of purchase.

Out-of-warranty products will be repaired with a charge for parts and labor.

## HEATER ELEVATION ADJUSTMENT

This heater is equipped with an elevation adjustment panel located at the exhaust end of the control box.

1. Do not adjust the heater combustion tube elevation while heater is running or hot. Adjustments to elevation should only be made after the heater has cooled to touch.
2. To adjust the heater combustion tube elevation, turn the adjustment screw knob counterclockwise and lift the combustion tube to desired position.

# SIZE AND CAPACITY OF PROPANE CYLINDERS REQUIRED

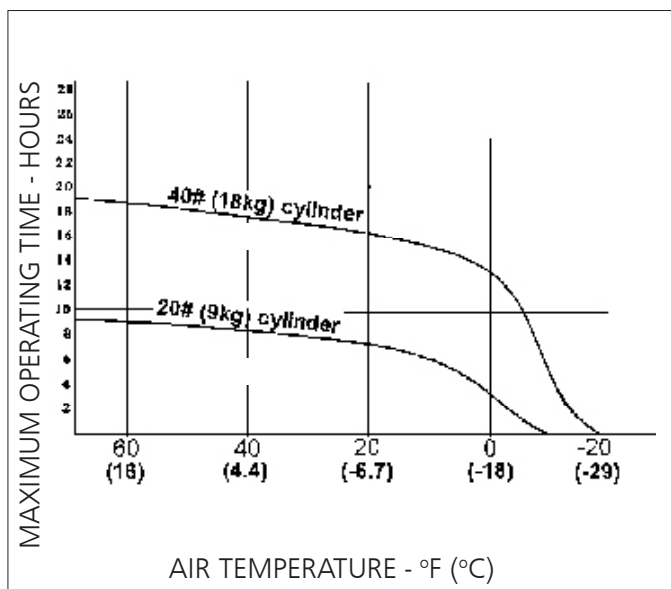
The charts below show the approximate size of the cylinder required for these heaters. To use the chart:

1. Select the lowest air temperature expected (at the bottom of the chart).
2. Move straight up to time of operation desired (left side of chart).
3. Read the cylinder size required.

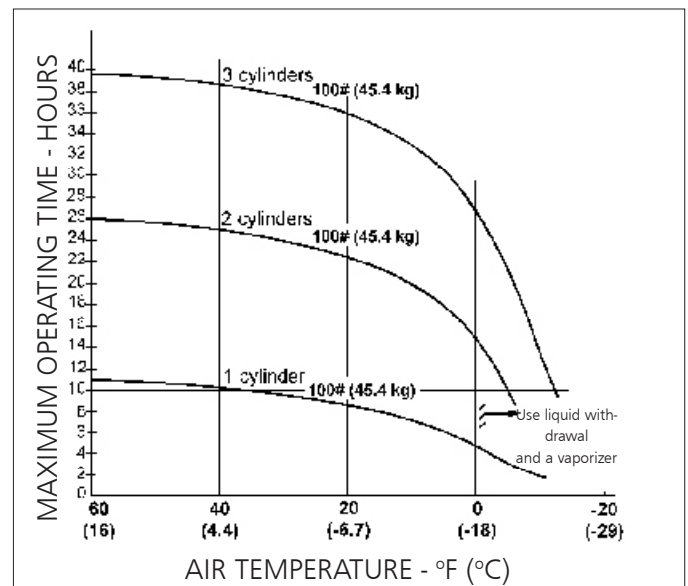
All heaters should have:

- full cylinders
- good air circulation
- no frost on cylinders

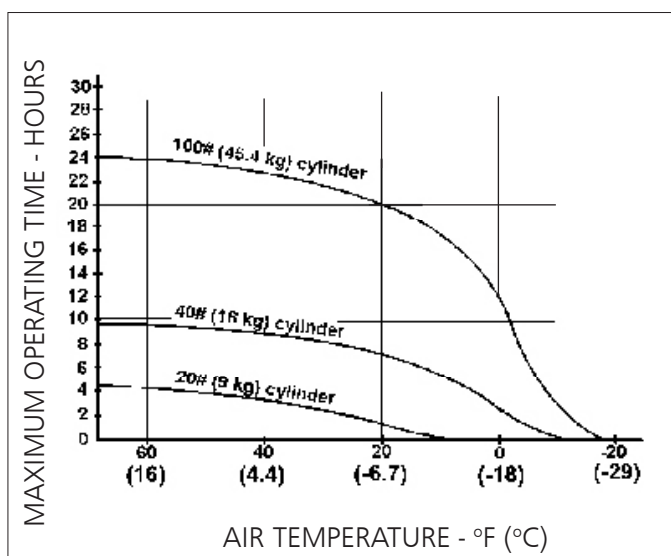
## 55,000 BTU/HR (16.1 kW)



## 125,000 BTU/HR (49.1 kW)

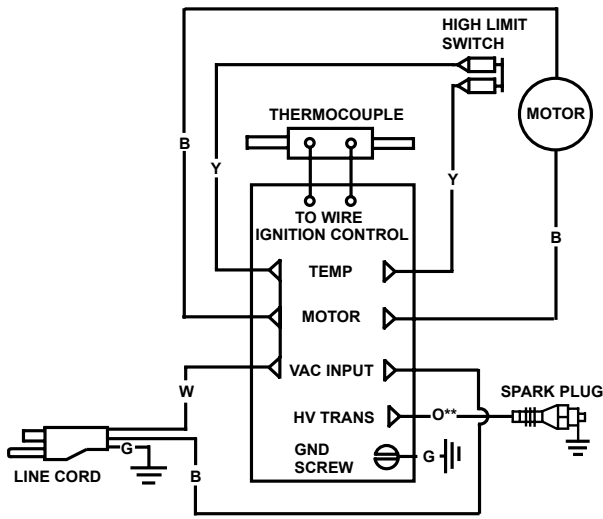


## 85,000 BTU/HR (33.4 kW)

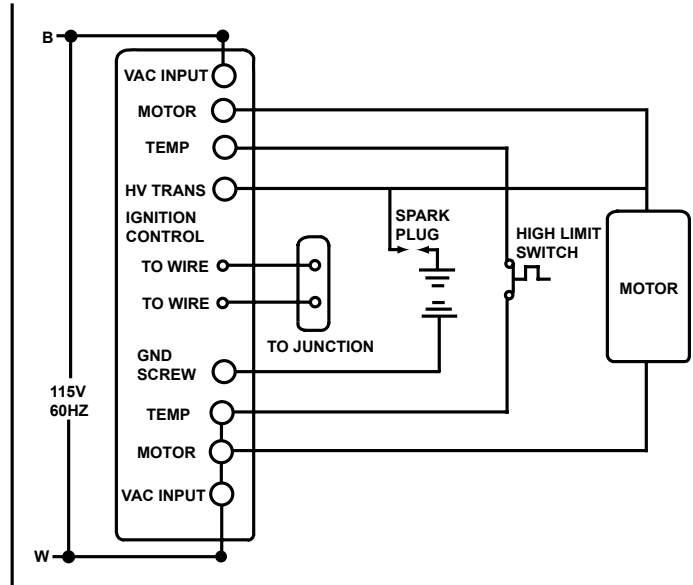


# WIRING DIAGRAMS

CONNECTION DIAGRAM



SCHEMATIC DIAGRAM



| COLOR CODE |       | LEGEND |              |
|------------|-------|--------|--------------|
| B          | BLACK | R      | RED          |
| W          | WHITE | Y      | YEL          |
| G          | GREEN | O      | ORG          |
|            |       | ⋮      | FEMALE CONN. |
|            |       | ○      | RING CONN.   |

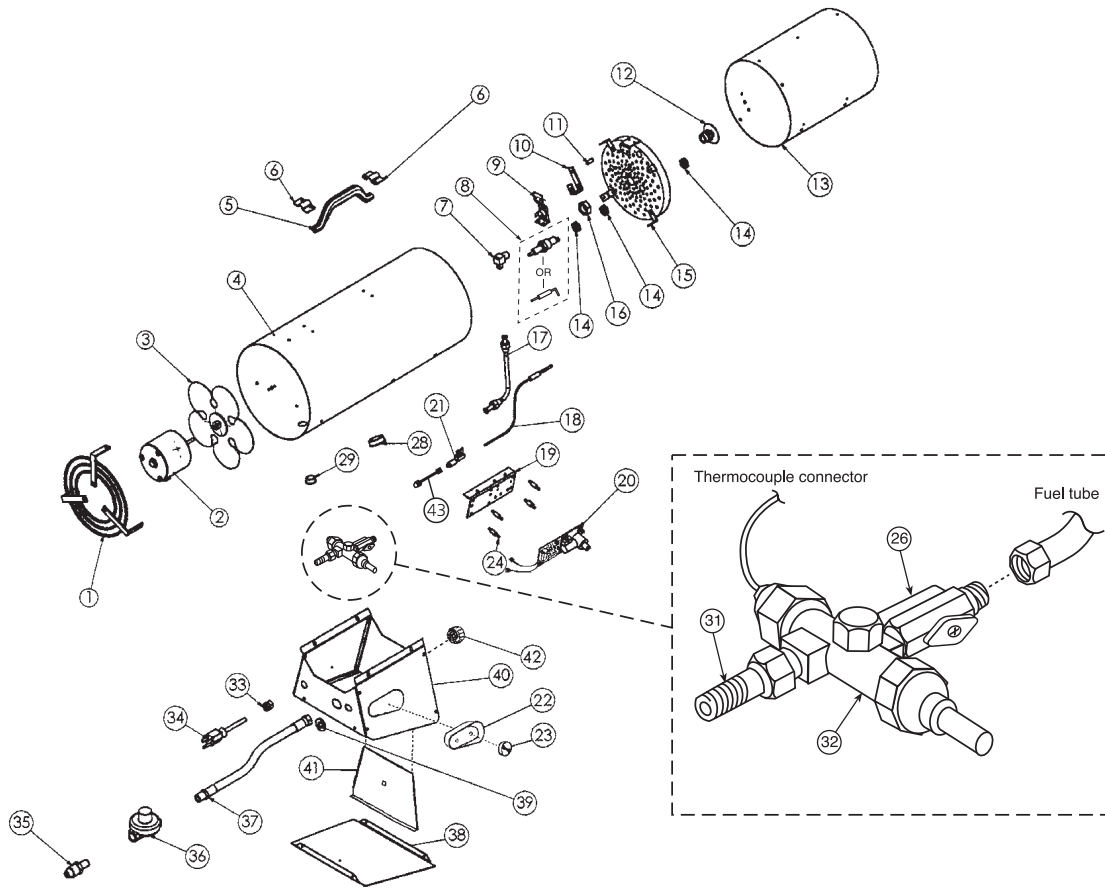
**NOTE:** If any original wiring as supplied with the heater, must be replaced, It must be replaced with Type AWG 105° C wire or its equivalent, except as indicated (Type SF 2.200, \*\*SGI-250° C)

## WIRING CHART (Wire: Type AWG 150° C or equivalent (Type SF2-200, \*\*SGI-250° C))

| Color  | Length      | From       | To                              |
|--------|-------------|------------|---------------------------------|
| Yellow | 18" (406mm) | High Limit | Ignition Control Temp. Terminal |
| Yellow | 18" (406mm) | High Limit | Ignition Control Temp Terminal  |



Forced Air Propane Construction Heater • Model #55FAV, 60FAV, 85FAV, 125FAV



| REF. # | #     | ITEM  | DESCRIPTION | QTY.  | REF. #                        | #     | ITEM  | DESCRIPTION                | QTY.     |          |          |                             |   |
|--------|-------|-------|-------------|-------|-------------------------------|-------|-------|----------------------------|----------|----------|----------|-----------------------------|---|
| 55FAV  | 60FAV | 85FAV | 125FAV      |       | 55FAV                         | 60FAV | 85FAV | 125FAV                     |          |          |          |                             |   |
| 1      | 21654 | 21654 | 21654       | 21671 | Motor Grille Assy             | 1     | 32    | 27285                      | 27285    | 27285    | 27285    | Thermoelectric Valve        | 1 |
| 2      | 21652 | 21652 | 21652       | 21551 | Motor Assy                    | 1     | 33    | 26223                      | 26223    | 26223    | 26223    | Strain Relief Bushing       | 1 |
| 3      | 26086 | 26086 | 26086       | 27898 | Fan                           | 1     | 34    | 21036                      | 21036    | 21036    | 21036    | Power Cord Assy             | 1 |
| 4      | 21729 | 21729 | 21729       | 21998 | Outer Shell                   | 1     | 35    | 26433                      | 26433    | 26433    | 26433    | POL Excess Flow 1/4 MPT     | 1 |
|        | 21730 | 21730 | 21730       | 21999 | Outer Shell - Model TS        | 1     | 36    | 26257                      | 26257    | 26257    | 26257    | Regulator 28" WC W/POL      | 1 |
| 5      | 28075 | 28075 | 28075       | 28075 | Handle, plastic               | 1     | 37    | 26152                      | 26152    | 26152    | 26152    | Hose Assy, LP, 12'          | 1 |
| 6      | 28074 | 28074 | 28074       | 28074 | Clip Handle Mounting, plastic | 2     | *     | 26152-20                   | 26152-20 | 26152-20 | 26152-20 | Hose Ass'y, 20' (HS only)   | 1 |
| 7      | 26121 | 26121 | 26121       | 27433 | Ftg, Male Elbow               | 1     | *     | 21667                      | 21667    | 21667    | 21667    | Hose & Regulator Ass'y      | 1 |
| 8      | 21082 | —     | —           | 21083 | Spark Plug                    | 1     | 38    | 24017                      | 24019    | 24019    | 24019    | Panel, Bottom               | 1 |
|        | —     | 28166 | 28167       | —     | Ignitor Electrode             | 1     | 40    | 24020                      | 24020    | 24022    | 24022    | Control Box Assy            | 1 |
| 9      | 21751 | 21751 | 21751       | 22003 | High Limit Control Assy       | 1     | 41    | 24023                      | 24023    | 24025    | 24025    | Elevation Plate             | 1 |
| 10     | —     | —     | 23036       | 23036 | Bracket Thermocouple          | 1     | 42    | 25026                      | 25026    | 25026    | 25026    | Elevation Knob              | 1 |
| 11     | —     | —     | 23787       | 23787 | Spacer Thermocouple           | 1     | 43    | 26656                      | 26656    | 26656    | 26656    | Thermocouple, connector     | 1 |
| 12     | 21930 | 22008 | 22007       | 22002 | Orifice Assy, LP              | 1     | *     | 26189                      | —        | —        | —        | Terminal "Y"                | 2 |
| 13     | 21651 | 21651 | 21651       | 22001 | Middle Cylinder Assy          | 1     | *     | 23676                      | 23676    | —        | —        | Brkt, Motor Mounting        | 1 |
| 14     | 23037 | 23037 | 23037       | 23037 | Spark Plug Nut (2-55FAV)      | 3     | *     | 26226                      | 26226    | —        | —        | Universal Bushing           | 1 |
| 15     | 21931 | 22006 | 22009       | 22004 | Flame Holder Assy             | 1     | *     | 70056                      | 70056    | 70056    | 70056    | Manual, Operating Instr     | 1 |
| 16     | 23038 | 23038 | 23038       | 23038 | Orifice Nut Mtg               | 1     | *     | 28733                      | 28163    | 28724    | 28510    | Label, Model                | 1 |
| 17     | 21941 | 21655 | 21655       | 21655 | Fuel Tube Assy                | 1     | *     | 27783                      | 28727    | 28784    | 28784    | Label, Operating Instr.     | 1 |
| 18     | 26655 | 26655 | 26655       | 26655 | Thermocouple 10" Lg w/JB.     | 1     | *     | 26374                      | 26374    | 26374    | 26374    | Label, Electrical Grounding | 1 |
| 19     | 23045 | 23045 | 23045       | 23045 | Bracket Ignition / Relay      | 1     | *     | 27709                      | 27709    | 27709    | 27709    | Label, Fuel                 | 1 |
| 20     | 23276 | 23276 | 23276       | 23276 | Ignition / Relay Module       | 1     | *     | 27503                      | 27503    | 27503    | 27503    | Label, Wiring Diagram       | 1 |
| 21     | 26134 | 26134 | 26134       | 26134 | Compression Block, Relay      | 1     | *     | 26373                      | 26373    | 26373    | 26373    | Label, Fan Rotation         | 1 |
| 22     | 27093 | 27093 | 27093       | 27093 | Cover, Cup, Valve             | 1     | *     | 28203                      | 28203    | 28203    | 28203    | Label Hang Tag, LP          | 1 |
| 23     | 25027 | 25027 | 25027       | 25027 | Knob, Variable Rate           | 1     | *     | 27704                      | 27704    | 27704    | 27704    | Label, Warning              | 1 |
| 24     | 26079 | 26079 | 26079       | 26079 | Spacer PC Standoff            | 3     | *     | 26375                      | 26375    | 26375    | 26375    | Label Elevation Adjustment  | 1 |
| 26     | 27422 | 22010 | 22011       | 27418 | Variable Rate Valve           | 1     | *     | 26376                      | 26376    | 26376    | 26376    | Label Btu/hr Adjustment     | 1 |
| 28     | 26225 | 26225 | 26225       | 26227 | Snap Bushing                  | 1     |       |                            |          |          |          |                             |   |
| 29     | 26224 | 26224 | 26224       | 27158 | Snap Bushing, 1/2             | 1     |       |                            |          |          |          |                             |   |
| 31     | 26127 | 26127 | 26127       | 26127 | Ftg, Male Connector           | 1     |       |                            |          |          |          |                             |   |
|        |       |       |             |       |                               |       | *     | Not shown on exploded view |          |          |          |                             |   |

# OPERATING INSTRUCTIONS AND OWNER'S MANUAL

## MR. HEATER

## HEATSTAR

MODEL

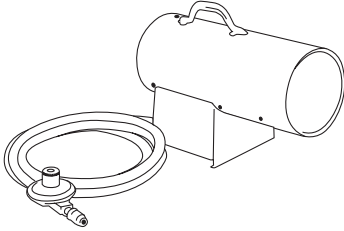
MH55FAV, MH60FAV, MH85FAV,  
MH125FAV  
PA55FAV, PA85FAV, PA125FAV

MODEL

HS55FAV, HS85FAV, HS125FAV

### READ INSTRUCTIONS CAREFULLY:

Read and follow all instructions. Place instructions in a safe place for future reference. Do not allow anyone who has not read these instructions to assemble, light, adjust or operate the heater.



**⚠ WARNING:** USE ONLY MANUFACTURER'S REPLACEMENT PARTS. USE OF ANY OTHER PARTS COULD CAUSE INJURY OR DEATH. REPLACEMENT PARTS ARE ONLY AVAILABLE DIRECT FROM THE FACTORY AND MUST BE INSTALLED BY A QUALIFIED SERVICE AGENCY.

| Model    | Starting Serial Number |
|----------|------------------------|
| MH55FAV  | LN-2700550001001       |
| MH60FAV  | LN-2281600001001       |
| MH85FAV  | LN-2282850001001       |
| MH125FAV | LN-2701250001001       |
| HS55FAV  | LN-1700550001001       |
| HS85FAV  | LN-1700850001001       |
| HS125FAV | LN-1701250001001       |
| PA55FAV  | LN-2220240001001       |
| PA125FAV | LN-2220450001001       |

### PARTS ORDERING INFORMATION:

**PURCHASING:** Accessories may be purchased at any Mr. Heater local dealer or direct from the factory

### FOR INFORMATION REGARDING SERVICE

Please call Toll-Free 800-251-0001 • [www.mrheater.com](http://www.mrheater.com)

Our office hours are 8:30 AM – 5:00 PM, EST, Monday through Friday.

Please include the model number, date of purchase, and description of problem in all communication.

### LIMITED WARRANTY

The company warrants this product to be free from imperfections in material or workmanship, under normal and proper use in accordance with instructions of The Company, for a period of one year from the date of delivery to the buyer. The Company, at its option, will repair or replace products returned by the buyer to the factory, transportation prepaid within said one year period and found by the Company to have imperfections in material or workmanship.

If a part is damaged or missing, call our Technical Support Department at 800-251-0001.

Address any Warranty Claims to the Service Department, Mr. Heater, Inc., 4560 W. 160TH ST., CLEVELAND, OHIO 44135. Include your name, address and telephone number and include details concerning the claim. Also, supply us with the purchase date and the name and address of the dealer from whom you purchased our product.

The foregoing is the full extent of the responsibility of the Company. There are no other warranties, express or implied. Specifically there is no warranty of fitness for a particular purpose and there is no warranty of merchantability. In no event shall the Company be liable for delay caused by imperfections, for consequential damages, or for any charges of the expense of any nature incurred without its written consent. The cost of repair or replacement shall be the exclusive remedy for any breach of warranty. There is no warranty against infringement of the like and no implied warranty arising from course of dealing or usage of trade. This warranty will not apply to any product which has been repaired or altered outside of the factory in any respect which in our judgment affects its condition or operation.

Some states do not allow the exclusion or limitation of incidental or consequential damages, so the above limitation or exclusion may not apply to you. This Warranty gives you specific legal rights, and you may have other rights which vary from state to state.

Mr. Heater, Inc. reserves the right to make changes at any time, without notice or obligation, in colors, specifications, accessories, materials and models.



ANSI Z83.7b/CSA 2.14b-2009

MR. HEATER, INC., 4560 W. 160TH ST., CLEVELAND, OHIO 44135 • 216-916-3000  
Mr. Heater is a registered trademark of Mr. Heater, Inc.  
© 2010, Mr. Heater. All rights reserved

# INSTRUCCIONES DE FUNCIONAMIENTO Y MANUAL DEL USUARIO

## MR. HEATER

MODELO  
MH55FAV, MH60FAV, MH85FAV,  
MH125FAV  
PA55FAV, PA85FAV, PA125FAV

### LEA LAS INSTRUCCIONES DETENIDAMENTE:

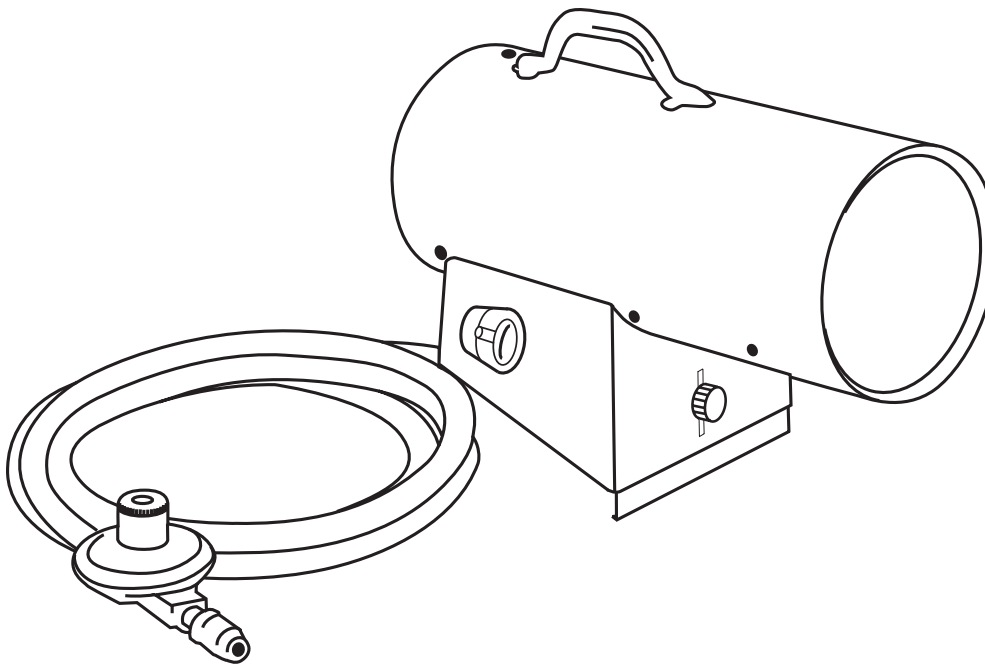
Lea y siga todas las instrucciones. Guarde las instrucciones en un lugar seguro en caso de que necesite consultarlas en un futuro. No permita que nadie que no haya leído estas instrucciones ensamble, encienda, ajuste u opere el calentador.

## HEATSTAR

MODELO  
HS55FAV, HS85FAV, HS125FAV

## CALENTADOR A PROPANO DE AIRE FORZADO PARA CONSTRUCCIÓN

Para números de serie modelos, ver la página S11.



### LANGUAGES

#### ENGLISH

Pages E1 — E10

#### SPANISH

Pages S1 — S11

#### FRENCH

Pages F1 — F11

**⚠ ADVERTENCIA:** Si no se sigue la información de este manual con exactitud, puede producirse un incendio o una explosión y provocar daños a la propiedad, lesiones personales o la muerte.

- No almacene ni utilice gasolina ni otros vapores y líquidos inflamables en las proximidades de este artefacto ni de ningún otro artefacto.
- No almacene ningún cilindro de PL (petróleo líquido) no conectado para su uso en las proximidades de este artefacto ni de ningún otro artefacto.
- QUÉ HACER SI DETECTA OLOR A GAS
  - No intente encender el artefacto.
  - Extinga cualquier llama expuesta.
  - Cierre el paso de gas al artefacto.
- La reparación debe ser realizada por una agencia de reparación calificada únicamente.

Éste es un calentador portátil con fuego a gas sin ventilación. Utiliza aire (oxígeno) del área en la que se utiliza. Se debe proporcionar aire de ventilación y de combustión adecuado. Consulte la página 3.

**⚠ ADVERTENCIA:** LA SEGURIDAD ES IMPORTANTE PARA USTED Y PARA OTRAS PERSONAS; LEA LAS INSTRUCCIONES ANTES DE OPERAR EL CALENTADOR.

## ADVERTENCIA SOBRE PELIGROS GENERALES:

- ⚠ NO CUMPLIR CON LAS PRECAUCIONES O INSTRUCCIONES QUE SE INCLUYEN CON EL CALENTADOR PUEDE OCASIONAR LA MUERTE, GRAVES LESIONES FÍSICAS Y DAÑO O PÉRDIDA DE BIENES COMO CONSECUENCIA DE UN INCENDIO, UNA EXPLOSIÓN, QUEMADURAS, ASFIXIA, ENVENENAMIENTO POR MONÓXIDO DE CARBONO O DESCARGA ELÉCTRICA.
- ⚠ EL CALENTADOR DEBERÁ SER USADO Y REVISADO SÓLO POR PERSONAS QUE COMPRENDAN Y PUEDAN SEGUIR LAS INSTRUCCIONES.
- ⚠ SI NECESITARA ASESORAMIENTO O INFORMACIÓN SOBRE EL CALENTADOR, COMO UN MANUAL DE INSTRUCCIONES, ETIQUETAS, ETC., COMUNÍQUESE CON EL FABRICANTE.

**⚠ ADVERTENCIA:** NO APTO PARA USO DOMÉSTICO NI EN VEHÍCULOS RECREATIVOS

**⚠ ADVERTENCIA:** PELIGRO DE INCENDIO, QUEMADURAS, INHALACIÓN Y EXPLOSIÓN. LOS COMBUSTIBLES SÓLIDOS, COMO MATERIALES DE CONSTRUCCIÓN, PAPEL O CARTÓN, DEBEN MANTENERSE A UNA DISTANCIA ADECUADA DEL CALENTADOR, SEGÚN SE RECOMIENDA EN LAS INSTRUCCIONES. NO UTILIZAR NUNCA EL CALENTADOR EN ESPACIOS QUE CONTENGAN O PUEDAN CONTENER COMBUSTIBLES VOLÁTILES O AEROTRANSPORTADOS, O PRODUCTOS COMO GASOLINA, SOLVENTES, DILUYENTE PARA PINTURAS, PARTÍCULAS DE POLVO O QUÍMICOS DESCONOCIDOS.

**El Estado de California exige la publicación de la siguiente advertencia:**

**⚠ ADVERTENCIA:** LA COMBUSTIÓN GENERADA CUANDO SE UTILIZA ESTE PRODUCTO CONTIENE MONÓXIDO DE CARBONO, UN QUÍMICO QUE EL ESTADO DE CALIFORNIA RECONOCE COMO CAUSANTE DE CÁNCER Y MALFORMACIONES CONGÉNITAS (U OTROS DAÑOS REPRODUCTIVOS).

## CONTENIDO

|   |      |
|---|------|
| ESPECIFICACIONES DEL CALENTADOR .....                       | S-2  |
| ADVERTENCIAS.....   | S-2  |
| PRECAUCIONES DE FUNCIONAMIENTO .....                        | S-3  |
| PRECAUCIONES DE SEGURIDAD.....                              | S-4  |
| ADVERTENCIA SOBRE LA AUSENCIA DE OLOR.....                  | S-5  |
| INSTRUCCIONES DE FUNCIONAMIENTO .....                       | S-6  |
| MANTENIMIENTO .....   | S-6  |
| TAMAÑO Y CAPACIDAD DE CILINDROS DE PROPANO SOLICITADOS..... | S-7  |
| DIAGRAMAS DE CABLEADO .....                                 | S-8  |
| REPUESTOS 55FAV .....                                       | S-9  |
| REPUESTOS 60FAV .....                                       | S-9  |
| REPUESTOS 85FAV .....                                       | S-9  |
| REPUESTOS 125FAV .....                                      | S-9  |
| GARANTÍA.....   | S-11 |

## ESPECIFICACIONES

Tipo de gas:..... Para ser usado sólo con propano  
Presión del suministro de gas  
hacia el regulador .... Máx.: Presión del tanque  
hacia el regulador .... Mín.: 5 psig (34,5 kPa)  
salida del regulador. 27,5" W.C. (6,84 kPa)

Entrada de corriente eléctrica: ..... 115 V, 60 Hz, 1Ø, 3a  
Voltaje de funcionamiento mín. 100 V

Ignición: ..... Chispa directa

Control principal de llama:..... Válvula de gas operada por termocupla

Control de alta temperatura: ..... 240 °F (116 °C)

Clasificación de temp. ambiente mínima 0 °F (-17.8 °C)

## ESPECIFICACIONES

| Modelo   | 55FAV                  | 60FAV                  | 85FAV                  | 125FAV                  |
|--|------------------------|------------------------|------------------------|-------------------------|
| Potencia:                                      | 30 000 - 55 000 Btu/Hr | 30 000 - 65 000 Btu/Hr | 50 000 - 85 000 Btu/Hr | 75 000 - 125 000 Btu/Hr |
|  | (8,8 - 16,1 kW)        | (8,8 - 19,0 kW)        | (14,6 - 25,0 kW)       | (21,9 - 36,6 kW)        |
| Consumo de combustible:                        | 1,4 - 2,5 #/hr         | 1,4 - 3 #/hr           | 2,3 - 3,9 #/hr         | 3,5 - 5,8 #/hr          |
|  | (0,64 - 1,1 kg/hr)     | (0,64 - 1,36 kg/hr)    | (1,04 - 1,77 kg/hr)    | (1,59 - 2,63 kg/hr)     |
| Nro. de puerto del orificio de combustible:    | 18                     | 18                     | 18                     | 18                      |
| Tamaño del puerto del orificio de combustible: | 0,0196 in              | 0,0247 in              | 0,0236 in              | 0,0295 in               |
|  | (0,50 mm)              | (0,52 mm)              | (0,60 mm)              | (0,75 mm)               |
| Salida de aire calefaccionado:                 | 300 cfm                | 300 cfm                | 300 cfm                | 350 cfm                 |
|  | (8,49 cmm)             | (8,49 cmm)             | (8,49 cmm)             | (9,91 cmm)              |

## PRECAUCIONES DE FUNCIONAMIENTO

Este calentador funciona mediante aire forzado, propano y calor directo. Fue diseñado para ser usado principalmente para calefaccionar edificios que se estén construyendo, reformando o reparando.

El propano es más pesado que el aire. Si se produce una fuga de propano a través de una conexión o un accesorio, el propano goteará al suelo y se acumulará rodeado de aire, lo que representa una mezcla potencialmente explosiva. Las fugas de propano deben evitarse, por lo que el suministro de propano debe colocarse con extremo cuidado. Consulte la hoja adjunta sobre Ausencia de olor y propano para conocer mejor cómo detectar fugas. Controle que no haya fugas en las nuevas conexiones o reconexiones usando una solución de jabonosa, y siga todas las instrucciones de conexión que se detallan aquí. Consulte al distribuidor de propano respecto de la instalación de la aplicación y el suministro de propano, y pídale que lo controle si tuviera alguna duda al respecto.

Este calentador ha sido diseñado y cuenta con certificación para ser usado como calentador para construcción conforme a las normas ANSI Z83.7a/CGA 2.14a-2007. Si tuviera alguna duda respecto de sus aplicaciones, consulte a las autoridades locales de seguridad contra incendios. Existen normas específicas para el uso de gases combustibles y otros productos generadores de calor en ciertas aplicaciones. La autoridad local podrá asesorarle en este aspecto.

Calor directo significa que la totalidad de los productos de combustión ingresa en el espacio calefaccionado. Si bien este calentador tiene cerca del 100% de eficiencia de combustión, libera pequeñas cantidades de monóxido de carbono. El monóxido de carbono (llamado CO) es tóxico. Las personas pueden tolerar cantidades pequeñas, pero no mucho. La acumulación de CO en el espacio calefaccionado, y la falta de una ventilación adecuada, pueden ocasionar la muerte. Síntomas de una ventilación deficiente:

- dolor de cabeza
- mareo
- ardor en los ojos y la nariz
- náuseas

- sequedad en la boca o dolor de garganta

Por lo tanto, asegúrese de seguir las indicaciones sobre ventilación que se detallan en estas instrucciones.

Aire forzado se refiere a que un soplador o ventilador impulsa el aire a través del calentador. De este flujo de aire depende que haya una combustión adecuada, por lo que no se debe revisar ni modificar el calefactor, ni se lo debe utilizar si le faltara alguna pieza. De igual manera, no deben quitarse ni modificarse los sistemas de seguridad para poner en funcionamiento el calentador.

Al utilizarlo en presencia de otras personas, el usuario deberá informarles debidamente acerca de las precauciones e instrucciones de seguridad, y advertirles sobre los posibles peligros.

## PRECAUCIONES DE SEGURIDAD

1. Controle detalladamente que el calentador no esté dañado. NO utilice ningún calentador dañado.
2. NO modifique el calentador ni utilice ninguno cuya condición original haya sido alterada.
3. Utilice sólo gas propano.
4. Utilice sólo suministro de propano con EXTRACCIÓN DE VAPOR. Si tuviera alguna duda acerca de la extracción de vapor, consulte a su vendedor de propano.
5. Coloque los cilindros de propano verticalmente (con la válvula de cierre hacia arriba). Sujételos para evitar que se caigan o se volteen, y protéjalos para que no se dañen.
6. Ubique los contenedores de propano al menos a (EE. UU.) 7 ft (2,13m), (Canadá) 10 ft (3 m) del calentador, y **no** dirija el escape hacia los contenedores.
7. **IMPORTANTE** Use sólo el ensamble de manguera y regulador que se incluye con el calentador. Haga coincidir la tira de color de la etiqueta que cuelga del ensamble de manguera con el color de la etiqueta ubicada cerca de la conexión de entrada de propano del calentador. Revise el ensamble de manguera antes de cada uso del calentador. Si presentara mucha abrasión o desgaste, o si la manguera estuviera cortada, reemplácelo con el ensamble que figura en la lista de piezas antes de utilizar el calentador.
8. Sólo para uso en interiores. El área debe estar bien ventilada. **Figura 1.** (Ver también "Precauciones de funcionamiento").
9. Si en algún momento se percibe olor a gas, DETENGA DE INMEDIATO el funcionamiento hasta que el origen del gas se haya detectado o reparado. Consulte la hoja adjunta sobre Ausencia de olor y propano para conocer mejor cómo detectar fugas de propano.
10. Instale el calentador de manera que no quede directamente expuesto a rocío de agua, lluvia ni goteras.
11. Mantenga el espacio libre mínimo respecto de material combustible normal (como papel). **Figura 2.**
12. Debido a la alta temperatura que alcanzan la superficie y el escape, adultos y niños deben respetar las distancias mínimas para evitar quemarse o que su ropa se prenda fuego.
13. Utilizar sólo sobre una superficie estable y nivelada.
14. No utilizar sobre redes de conductos. No obstruya la entrada ni la salida.
15. Utilice sólo la potencia eléctrica especificada. La conexión eléctrica y la conexión a tierra deben cumplir con el Código eléctrico nacional, ANSI/NFPA 70 (EE. UU.), y con la norma CSA C22.1 del Código eléctrico canadiense, Parte 1 (Canadá).
16. Utilice sólo un cable de extensión o un tomacorriente de 3 puntas debidamente conectado a tierra.
17. No mueva ni manipule el aparato, ni realice mantenimiento alguno mientras esté caliente o funcionando.
18. No ajuste la elevación del tubo de combustión del calentador mientras el aparato esté funcionando o caliente. Estos ajustes sólo pueden realizarse una vez que el calentador esté frío al tacto.
19. Utilizar solamente según los códigos locales o, si no hubiera códigos locales, según las Normas para el almacenamiento y el suministro de gases licuados del petróleo, ANSI/NFPA 58 y CSA B149.1, Código de instalación de gas natural y propano.

**Figura 1**

| VENTILACIÓN: Aperturas mínimas necesarias |                          |                          |
|---|--------------------------|--------------------------|
| Calentador                                | Apertura cerca del suelo | Apertura cerca del techo |
| Aire forzado (55, 60).....                | 1 ft <sup>2</sup> .....  | 1 ft <sup>2</sup>        |
| Aire forzado (85, 125) .....              | 2 ft <sup>2</sup> .....  | 2 ft <sup>2</sup>        |

**Figura 2**

| ESPACIO LIBRE MÍNIMO: De material combustible normal |                              |
|--|------------------------------|
| Espacio mínimo                                       | 55, 60, 85, 125 Aire forzado |
| Desde el suelo .....                                 | 0 ft                         |
| Desde la salida .....                                | 6 ft                         |
| Desde los costados .....                             | 2 ft                         |
| Desde la parte superior.....                         | 3 ft                         |

Colocar a 10 ft de lonas plásticas o de tela, o de coberturas similares, y asegurarlas para evitar que se agiten o se muevan por la acción del viento.

## ADVERTENCIA SOBRE LA AUSENCIA DE OLOR

### ADVERTENCIA

#### ⚠ Peligro de asfixia

- No utilice este calentador para calefaccionar espacios habitados por personas.
- No utilizar en áreas sin ventilación.
- El flujo del aire de ventilación y de combustión no debe estar obstruido.
- Se debe proporcionar una ventilación adecuada para cumplir con los requisitos de aire de combustión del calentador que está utilizando.
- Consulte la sección de especificaciones del manual del calentador, la placa de identificación del calentador, o comuníquese con la fábrica para determinar los requisitos de ventilación de aire de combustión del calentador.
- La falta de una ventilación adecuada provocará una combustión incorrecta.
- La combustión incorrecta puede conducir a la intoxicación por monóxido de carbono, lo que puede provocar lesiones graves o la muerte. Los síntomas de la intoxicación por monóxido de carbono pueden incluir dolores de cabeza, mareos y dificultad para respirar.

## OLOR DEL GAS COMBUSTIBLE

**El gas licuado y el gas natural poseen odorizantes artificiales agregados específicamente para la detección de fugas de gas combustible.**

**Si se produce una fuga de gas, podrá oler el gas combustible. Dado que el propano (licuado) es más pesado que el aire, debe detectar el olor a gas cerca del nivel del suelo. CUALQUIER OLOR A GAS QUE DETECTE LE INDICA QUE DEBE TOMAR MEDIDAS INMEDIATAS.**

- No realice ninguna actividad que pudiera encender el gas combustible. No accione interruptores eléctricos de ningún tipo. No desconecte ningún cable de suministro de energía ni de extensión. No encienda fósforos ni ningún otro tipo de llama. No use su teléfono.
- Retire a todos del edificio y lejos del área de inmediato.
- Cierre todas las válvulas de suministro de gas a tanques o cilindros de gas licuado propano, o la válvula principal de suministro de gas ubicada en el contador si utiliza gas natural.
- El gas licuado propano es más denso que el aire y puede permanecer en áreas bajas. Cuando tenga motivos para sospechar la presencia de una fuga de propano, manténgase alejado de todas las áreas bajas.
- Use el teléfono de su vecino y llame a su suministrador de gas combustible y al departamento de bomberos. No vuelva a ingresar al edificio o al área.
- Manténgase alejado del edificio y del área hasta que los bomberos y su suministrador de gas combustible indiquen que es seguro hacerlo.
- FINALMENTE, permita que el encargado del servicio del gas combustible y que los bomberos verifiquen el escape de gas. Indíqueles que ventilen el edificio y el área antes de volver a ingresar. El personal de servicio capacitado y adecuado debe reparar la fuga, controlar la existencia de otras fugas y luego volver a encender la aplicación.

## PÉRDIDA DE LA INTENSIDAD DEL OLOR - FALTA DE DETECCIÓN DE OLOR

- Algunas personas no tienen buen olfato. Algunas personas no pueden detectar el olor del químico realizado por el hombre que se agrega al gas licuado propano o al gas natural. Usted debe determinar si puede distinguir ese olor en estos gases combustibles.
- Aprenda a reconocer el olor del gas licuado propano y del gas natural. Los vendedores de gas licuado propano gustosamente le facilitarán un panfleto para raspar y oler. Úselo para reconocer el olor al gas combustible.
- Fumar puede disminuir su capacidad de reconocer olores. Permanecer rodeado de un olor determinado por un período de tiempo puede afectar su sensibilidad a ese olor en particular. Los olores presentes en edificios donde permanecen encerrados animales pueden ocultar el olor al gas combustible.
- **El odorizante en el gas licuado propano y en el gas natural es invisible y la intensidad de su olor puede perder su intensidad bajo determinadas circunstancias.**
- En caso de una pérdida subterránea, el movimiento de gas por el suelo puede filtrar el odorizante.
- El olor del gas licuado propano puede variar su intensidad en distintos niveles. Como el gas licuado propano es más denso que el aire, podría haber más olor en los niveles más bajos.
- **Esté siempre atento al más mínimo olor a gas.** Si continúa detectando olor a gas, no importa cuán ínfima sea su intensidad, tómelo como una pérdida seria. Actúe de inmediato según lo indicado anteriormente.

## ATENCIÓN: ¡PUNTOS IMPORTANTES PARA RECORDAR!

- El gas licuado propano tiene un olor distintivo. Aprenda a reconocer esos olores. (Secciones de referencia del olor del gas combustible y de la pérdida de intensidad del olor, explicadas anteriormente).
- Incluso si no se encuentra adecuadamente capacitado para el servicio y reparación del calentador, SIEMPRE esté alerta para reconocer los olores del gas licuado propano y del gas natural.
- Si no ha sido adecuadamente capacitado en la reparación y servicio del gas licuado propano, no intente encender el calentador, realizar mantenimiento o reparaciones o realizar ajustes al calentador en el sistema de combustible de gas licuado propano.
- Una prueba periódica oliendo alrededor del calentador o en las juntas del calentador, por ejemplo manguera, conexiones, etc., es una buena práctica de seguridad en cualquier circunstancia. Si huele incluso una pequeña cantidad de gas, CONTACTE DE INMEDIATO A SU PROVEEDOR DE GAS COMBUSTIBLE. ¡NO ESPERE!

# INSTRUCCIONES DE FUNCIONAMIENTO

## PREPARACIÓN PARA EL FUNCIONAMIENTO

1. Controle que el calentador no se haya dañado durante el envío. Si hubiera algún daño, notifique de inmediato a la fábrica.
2. Respete todas las "Precauciones".
3. Conecte el accesorio POL del ensamble de manguera y de regulador al cilindro de propano girando la tuerca POL hacia la izquierda dentro de la salida de la válvula del cilindro, y ajuste bien con una llave de tuercas.
4. Conecte la manguera al calentador girando la conexión de la manguera hacia la derecha.
5. Ajuste firmemente todas las conexiones de gas.
6. Abra la válvula de gas del cilindro y controle todas las conexiones con una solución de agua jabonosa. NO UTILICE LLAMA.
7. Conecte el cable a un suministro de energía de 115 V, 60 Hz, 1Ø debidamente conectado a tierra.
8. Si utiliza un cable de extensión, asegúrese de que sea un cable de tres puntas (conectado a tierra) del tamaño adecuado.

## ARRANQUE

1. Antes de encender el calentador, deje funcionar el ventilador (soplador) unos 20 segundos para que se purgue el combustible.
2. Abra lentamente la válvula principal del cilindro de propano.
3. Presione el botón de la válvula de combustible para encender el calentador.
4. Una vez encendido el calentador, mantenga el botón de la válvula de gas presionado durante 15 segundos, luego suéltelo y el calentador seguirá funcionando.
5. Ajuste la potencia girando la perilla de control hasta el nivel deseado.
6. Mientras el cable de suministro eléctrico esté conectado, el encendedor seguirá funcionando.
  - a) El encendedor echa chispas permanentemente.
7. Estas unidades no incluyen termostato.

## PARO

1. Cierre debidamente la válvula del cilindro de propano.
2. Mantenga el calentador funcionando hasta que se haya consumido todo el combustible de la manguera.
3. Desconecte el cable de suministro eléctrico.

## REINICIO LUEGO DE APAGADO DE SEGURIDAD

1. Cierre debidamente la válvula del cilindro de propano. Desenchufe el calentador.
2. Espere 5 minutos.
3. Reinicie siguiendo el procedimiento de "Arranque".

## MANTENIMIENTO Y ALMACENAJE

1. El calentador debe ser inspeccionado antes de cada uso y por una persona calificada al menos una vez al año.
2. Antes de cada uso, controle el sello hermético de la junta tórica ubicada en la boquilla de unión del accesorio POL. Si la junta tórica está cortada, desgastada o dañada de alguna manera, reemplácela con la pieza número 73786.
3. Cierre el paso de gas del cilindro de suministro de gas propano mientras el calentador no esté en uso.
4. Si el calentador se almacenará en un sitio cerrado, se deben desconectar los cilindros de suministro de gas propano, y se los debe colocar fuera, de acuerdo con el Capítulo 5 de la Norma para el almacenamiento y el suministro de gases licuados del petróleo, ANSI/NFPA 58 y CSA B149.1, Código de instalación de gas natural y propano.

## MANTENIMIENTO

Usar un calentador que ha sido modificado o que no funciona debidamente puede generar una situación peligrosa. Si el calentador funciona correctamente:

- La llama permanece dentro del calentador.
- La llama es principalmente azul, quizá con algunas puntas amarillas.
- No se percibe ningún olor desagradable, irritación en los ojos ni otro tipo de molestia física.
- No se acumula humo ni hollín dentro ni fuera del calentador.
- El calentador no se apaga de forma sorpresiva ni inesperada.

Las listas de piezas y el diagrama de cableado muestran el calentador tal como fue construido. No utilice el calentador si fuera diferente al que se muestra aquí. A su vez, use sólo la manguera, el regulador y el accesorio de conexión al cilindro (llamado accesorio POL) que se incluye con el calentador. **IMPORTANTE** Haga coincidir la tira de color de la etiqueta que cuelga del ensamble de manguera con el color de la etiqueta ubicada cerca de la conexión de entrada de propano del calentador. No utilice elementos alternativos. En este calentador, el regulador debe configurarse como se muestra en "especificaciones". Si no está seguro de la configuración del regulador, haga que lo controlen.

Se deben reparar los calentadores que no funcionen debidamente, pero sólo podrá hacerlo un experto en mantenimiento capacitado. Los productos que estén dentro de la garantía serán reparados sin que deba pagarse por las piezas ni por la mano de obra. Incluya una breve descripción en la que indique la fecha y el lugar en que realizó la compra, la naturaleza del problema y un comprobante de compra. Los productos que ya no estén en garantía serán reparados, pero se cobrarán las piezas y la mano de obra.

## AJUSTE DE LA ELEVACIÓN DEL CALENTADOR

Este calentador cuenta con un panel de ajuste de la elevación, ubicado en el extremo del escape de la caja de control.

1. No ajuste la elevación del tubo de combustión del calentador mientras el aparato esté funcionando o caliente. Estos ajustes sólo pueden realizarse una vez que el calentador esté frío al tacto.
2. Para ajustar la elevación del tubo de combustión, gire la perilla del tornillo de ajuste hacia la izquierda, y eleve el tubo de combustión hasta la posición deseada.



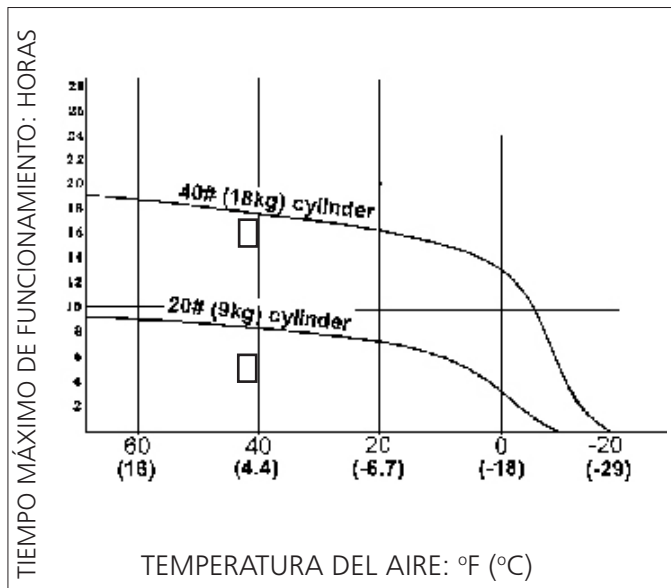
# CAPACIDAD Y TAMAÑO REQUERIDOS DE LOS CILINDROS DE PROPANO

Las siguientes tablas muestran el tamaño aproximado requerido del cilindro para estos calentadores. Para utilizar la tabla:

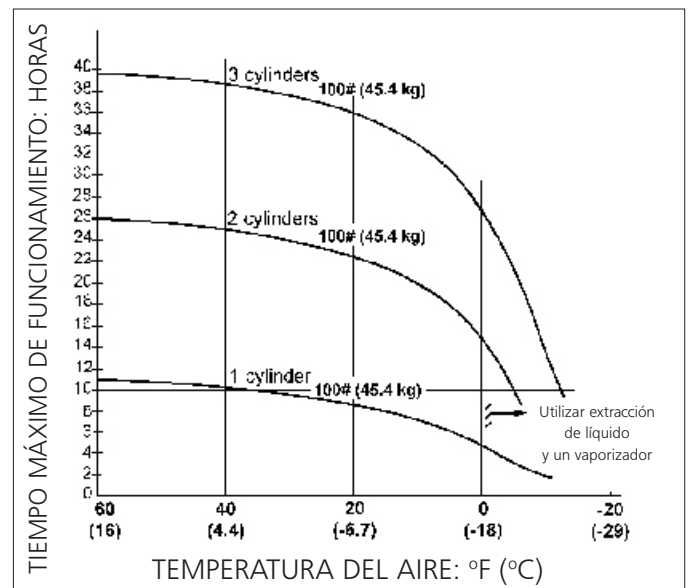
1. Seleccione la mínima temperatura de aire esperada (en la parte inferior de la tabla).
2. Suba hasta el tiempo de funcionamiento deseado (lado izquierdo de la tabla).
3. Compruebe el tamaño de cilindro necesario.

Todos los calentadores deberán tener:  
 cilindros completos,  
 buena circulación de aire y  
 cilindros sin ninguna parte congelada.

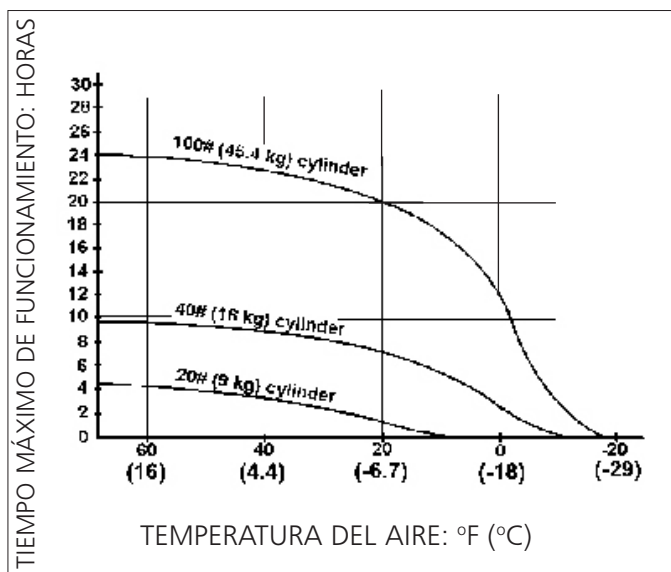
## 55 000 BTU/HR (16,1 kW)



## 125 000 BTU/HR (49,1 kW)

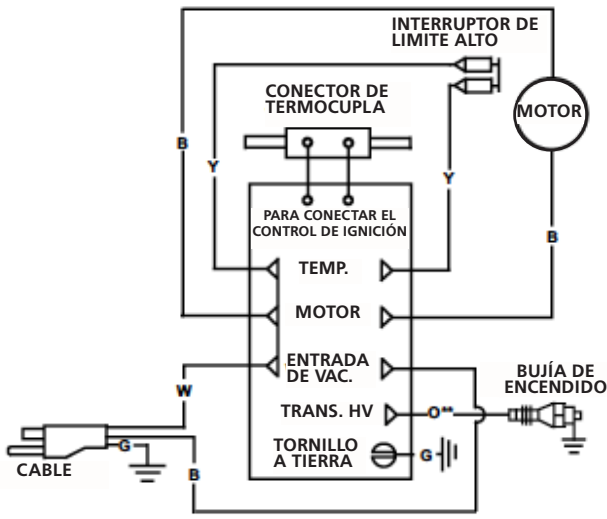


## 85 000 BTU/HR (33,4 kW)

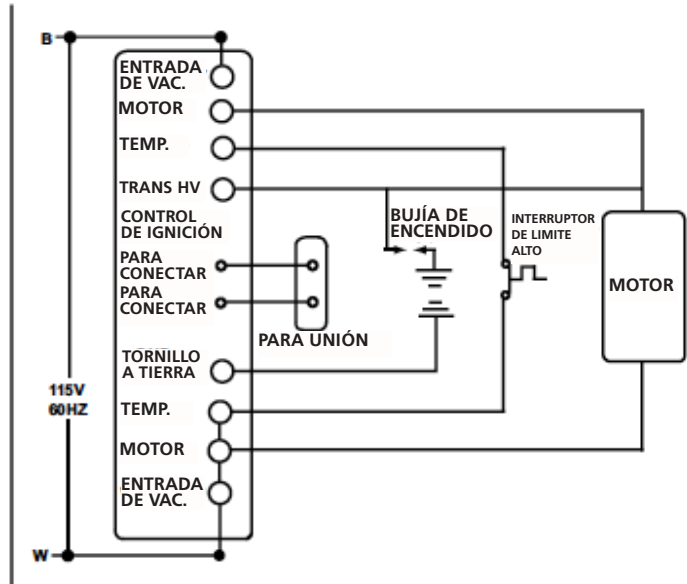


# DIAGRAMAS DE CABLEADO

CONNECTION DIAGRAM



SCHEMATIC DIAGRAM



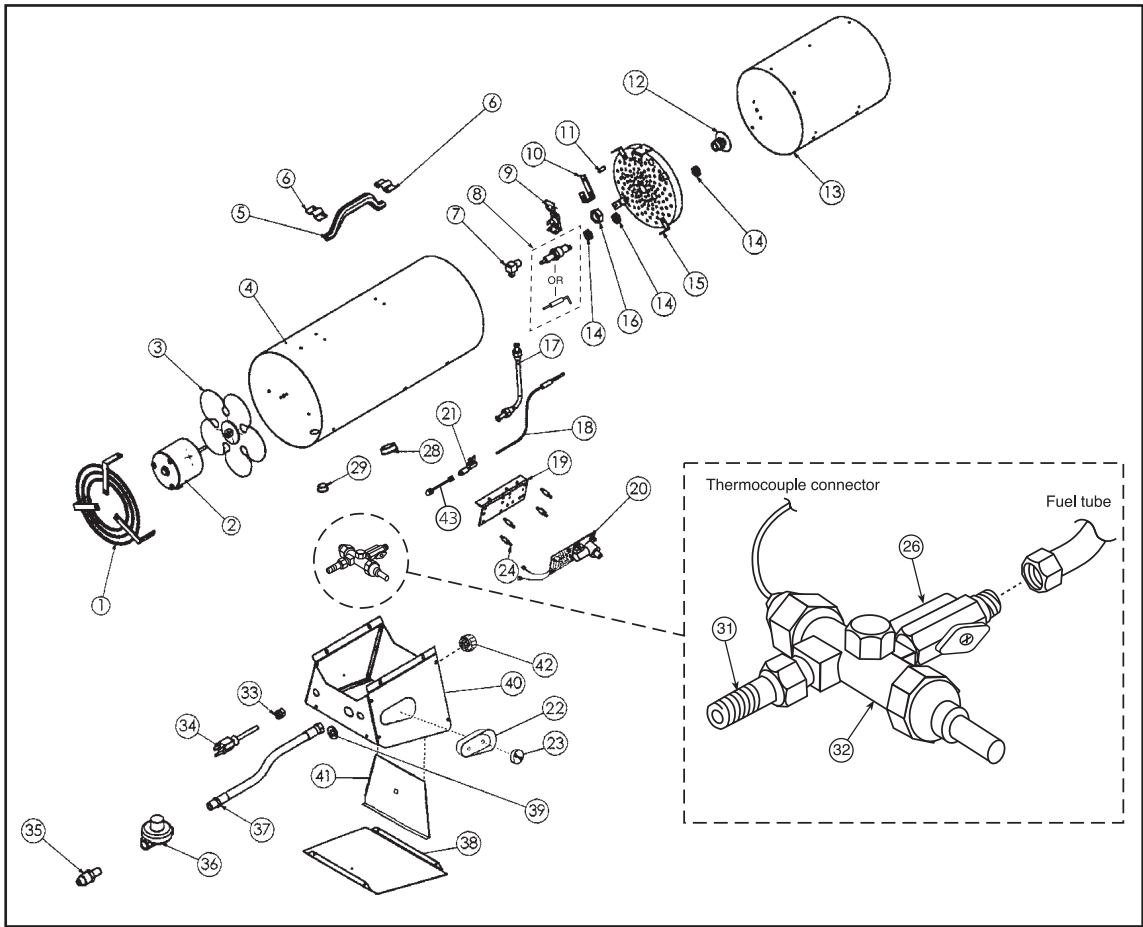
| CÓDIGO DE COLOR |        | LEYENDA                         |
|-----------------|--------|---------------------------------|
| B               | NEGRO  | CONEX. HEMBRA.<br>CONEX. ANILLO |
| R               | ROJO   |                                 |
| W               | BLANCO |                                 |
| G               | VERDE  |                                 |
| Y               | AMAR.  |                                 |
| O               | NAR.   |                                 |

**NOTA:** Si alguna parte del cableado original que se incluye con el calentador debiera reemplazarse, deberá hacérselo con cable tipo AWG 105 °C, o su equivalente, salvo que se indique lo contrario (Tipo SF 2200, \*\*SGI-250 °C)

**TABLA DE CABLEADO (Cable: Tipo AWG 150 °C o equivalente [Tipo SF2-200, \*\*SGI-250 °C])**

| Color    | Longitud       | Desde       | Hasta                                    |
|----------|----------------|-------------|--|
| Amarillo | 18 in (406 mm) | Límite alto | Terminal de temp. de control de ignición |
| Amarillo | 18 in (406 mm) | Límite alto | Terminal de temp. de control de ignición |

Calentador a propano de aire forzado para construcción • Modelo nro. 55FAV, 60 FAV, 85FAV, 125FAV



| NRO. DE REF. | NRO. DE PIEZA |       |       |        | DESCRIPCIÓN                     | CTDAD. | NRO. DE REF. | NRO. DE PIEZA |          |          |          | DESCRIPCIÓN                           | CTDAD. |
|--------------|---------------|-------|-------|--------|---------------------------------|--------|--------------|---------------|----------|----------|----------|---------------------------------------|--------|
|              | 55FAV         | 60FAV | 85FAV | 125FAV |                                 |        |              | 55FAV         | 60FAV    | 85FAV    | 125FAV   |                                       |        |
| 1            | 21654         | 21654 | 21654 | 21671  | Ensamble parrilla del motor     | 1      | 32           | 27285         | 27285    | 27285    | 27285    | Válvula termoelectrica                | 1      |
| 2            | 21652         | 21652 | 21652 | 21551  | Ensamble del motor              | 1      | 33           | 26223         | 26223    | 26223    | 26223    | Boquilla de alivio de tensión         | 1      |
| 3            | 26086         | 26086 | 26086 | 27898  | Ventilador                      | 1      | 34           | 21036         | 21036    | 21036    | 21036    | Ensamble cable eléctrico              | 1      |
| 4            | 21729         | 21729 | 21729 | 21998  | Carcasa externa                 | 1      | 35           | 26433         | 26433    | 26433    | 26433    | POL exceso de flujo 1/4 MPT           | 1      |
|              | 21730         | 21730 | 21730 | 21999  | Carcasa externa: Modelo TS      | 1      | 36           | 26257         | 26257    | 26257    | 26257    | Regulador 28 in Col. agua c/POL       | 1      |
| 5            | 28075         | 28075 | 28075 | 28075  | Asa, plástica                   | 1      | 37           | 26152         | 26152    | 26152    | 26152    | Ensamble de manguera, PL, 12 ft 1     | 1      |
| 6            | 28074         | 28074 | 28074 | 28074  | Grapa del asa, plástica         | 2      | *            | 26152-20      | 26152-20 | 26152-20 | 26152-20 | Ensamble de manguera, 20 ft (HS sólo) | 1      |
| 7            | 26121         | 26121 | 26121 | 27433  | Acces., conector macho acodado  | 1      | *            | 21667         | 21667    | 21667    | 21667    | Ensamble de manguera y regulador      | 1      |
| 8            | 21082         | —     | —     | 21083  | Bujía                           | 1      | 38           | 24017         | 24019    | 24019    | 24019    | Panel, parte inferior                 | 1      |
|              | —             | 28166 | 28167 | —      | Electrodo de encendido          | 1      | 40           | 24020         | 24020    | 24022    | 24022    | Ensamble caja de control              | 1      |
| 9            | 21751         | 21751 | 21751 | 22003  | Ensamble de control limite alto | 1      | 41           | 24023         | 24023    | 24025    | 24025    | Placa de elevación                    | 1      |
| 10           | —             | —     | 23036 | 23036  | Termocupla de soporte           | 1      | 42           | 25026         | 25026    | 25026    | 25026    | Perilla de elevación                  | 1      |
| 11           | —             | —     | 23787 | 23787  | Termocupla separadora           | 1      | 43           | 26656         | 26656    | 26656    | 26656    | Conector de termocupula               | 1      |
| 12           | 21930         | 22008 | 22007 | 22002  | Ensamble orificio, PL           | 1      | *            | 26189         | —        | —        | —        | Terminal "Y"                          | 2      |
| 13           | 21651         | 21651 | 21651 | 22001  | Ensamble cilindro intermedio    | 1      | *            | 23676         | 23676    | —        | —        | Soporte, montaje del motor            | 1      |
| 14           | 23037         | 23037 | 23037 | 23037  | Tuerca de bujía (2-55FAV)       | 3      | *            | 26226         | 26226    | —        | —        | Boquilla universal                    | 1      |
| 15           | 21931         | 22006 | 22009 | 22004  | Ensamble retardador de llama    | 1      | *            | 70056         | 70056    | 70056    | 70056    | Manual, Instr. funcionamiento         | 1      |
| 16           | 23038         | 23038 | 23038 | 23038  | Montaje tuerca de orificio      | 1      | *            | 28733         | 28163    | 28724    | 28510    | Etiqueta, Modelo                      | 1      |
| 17           | 21941         | 21655 | 21655 | 21655  | Ensamble tubo de combustible    | 1      | *            | 27783         | 28727    | 28784    | 28784    | Etiqueta, Instr. funcionamiento       | 1      |
| 18           | 26655         | 26655 | 26655 | 26655  | Termocupla 10 in Long. c/JB.    | 1      | *            | 26374         | 26374    | 26374    | 26374    | Etiqueta, Conexión eléctrica a tierra | 1      |
| 19           | 23045         | 23045 | 23045 | 23045  | Soporte encendido / Relé        | 1      | *            | 27709         | 27709    | 27709    | 27709    | Etiqueta, Combustible                 | 1      |
| 20           | 23276         | 23276 | 23276 | 23276  | Encendido / Módulo de relé      | 1      | *            | 27503         | 27503    | 27503    | 27503    | Etiqueta, Diagrama de cableado        | 1      |
| 21           | 26134         | 26134 | 26134 | 26134  | Bloque de compresión, Relé      | 1      | *            | 26373         | 26373    | 26373    | 26373    | Etiqueta, Rotación del ventilador     | 1      |
| 22           | 27093         | 27093 | 27093 | 27093  | Cubierta, cono, válvula         | 1      | *            | 28203         | 28203    | 28203    | 28203    | Etiqueta colgante, PL                 | 1      |
| 23           | 25027         | 25027 | 25027 | 25027  | Perilla, potencia variable      | 1      | *            | 27704         | 27704    | 27704    | 27704    | Etiqueta, Advertencia                 | 1      |
| 24           | 26079         | 26079 | 22079 | 26079  | Aislador pieza separadora       | 3      | *            | 26375         | 26375    | 26375    | 26375    | Etiqueta ajuste de elevación          | 1      |
| 26           | 27422         | 22010 | 22011 | 27418  | Válvula de potencia variable    | 1      | *            | 26376         | 26376    | 26376    | 26376    | Etiqueta ajuste Btu/hr                | 1      |
| 28           | 26225         | 26225 | 26225 | 26227  | Protector                       | 1      |              |               |          |          |          |                                       |        |
| 29           | 26224         | 26224 | 26224 | 27158  | Protector, 1/2                  | 1      |              |               |          |          |          |                                       |        |
| 31           | 26127         | 26127 | 26127 | 26127  | Acces., conector macho          | 1      |              |               |          |          |          |                                       |        |

\* No se muestra en la vista detallada

**Esta página intencionadamente se marchó en blanco.**

# INSTRUCCIONES DE FUNCIONAMIENTO Y MANUAL DEL USUARIO

## MR. HEATER

### LEA LAS INSTRUCCIONES DETENIDAMENTE:

Lea y siga todas las instrucciones. Guarde las instrucciones en un lugar seguro en caso de que necesite consultarlas en un futuro. No permita que nadie que no haya leído estas instrucciones ensamble, encienda, ajuste u opere el calentador.

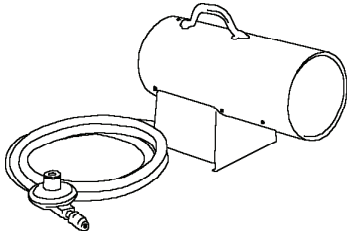
## HEATSTAR

MODELO

MH55FAV, MH60FAV, MH85FAV,  
MH125FAV  
PA55FAV, PA85FAV, PA125FAV

MODELO

HS55FAV, HS85FAV, HS125FAV



**ADVERTENCIA:** UTILICE ÚNICAMENTE REPUESTOS DEL FABRICANTE. EL USO DE CUALQUIER OTRO REPUESTO PUEDE CAUSAR LESIONES O LA MUERTE. LOS REPUESTOS SÓLO ESTÁN DISPONIBLES DIRECTAMENTE DE FÁBRICA Y DEBEN SER INSTALADOS POR UNA AGENCIA DE REPARACIÓN CALIFICADA.

| Modelo   | Comienzo de Número de Serie |
|----------|-----------------------------|
| MH55FAV  | LN-2700550001001            |
| MH60FAV  | LN-2281600001001            |
| MH85FAV  | LN-2282850001001            |
| MH125FAV | LN-2701250001001            |
| HS55FAV  | LN-1700550001001            |
| HS85FAV  | LN-1700850001001            |
| HS125FAV | LN-1701250001001            |
| PA55FAV  | LN-2220240001001            |
| PA125FAV | LN-2220450001001            |

### INFORMACIÓN PARA REALIZAR PEDIDOS DE PIEZAS:

**COMPRAS:** Los accesorios pueden comprarse en cualquier distribuidor local de Mr. Heater, o directamente de la fábrica.

#### PARA OBTENER INFORMACIÓN SOBRE EL MANTENIMIENTO

Llame al número gratuito 800-251-0001 • [www.mrheater.com](http://www.mrheater.com)

Nuestro horario de atención es de lunes a viernes de 08:30 a 17:00, hora del Este.

En todas las comunicaciones recuerde incluir el número de modelo, la fecha de compra y la descripción del problema.

#### GARANTÍA LIMITADA

La empresa garantiza que este producto no presenta imperfecciones de material o mano de obra cuando se usa normal y debidamente de acuerdo con las instrucciones de la Empresa, por un período de un año desde la fecha de entrega al comprador. La Empresa, según su criterio, reparará o cambiará los productos devueltos por el comprador a la fábrica, con transporte prepago dentro de dicho período de un año y cuando la Empresa determine que los productos tienen imperfecciones de material o mano de obra.

Si una pieza falta o está dañada, comuníquese con el Departamento de servicio técnico llamando al 800-251-0001.

Envíe los Reclamos de garantía al Departamento de mantenimiento: Mr. Heater, Inc., 4560 W. 160TH ST., CLEVELAND, OHIO 44135. Incluya su nombre, dirección y número de teléfono, así como los detalles relativos al reclamo. Además, infórmenos la fecha de compra y el nombre y la dirección del vendedor del producto.

La información precedente constituye el alcance total de la responsabilidad de la Empresa. No existe ningún otro tipo de garantía, explícita ni implícita. En particular, no existen garantías de aptitud para un uso específico ni comercialización. La Empresa no será responsable en ninguna circunstancia por el retraso causado por las imperfecciones, los daños indirectos o los cargos de cualquier tipo de gasto realizado sin el consentimiento de la empresa por escrito. La única solución por el incumplimiento de la garantía será el pago de los costos de reparación o cambio. No existe ninguna garantía por problemas similares y ninguna garantía implícita derivada de la negociación o el uso comercial. Esta garantía no será válida para ningún producto que haya sido reparado o alterado fuera de la fábrica de cualquier manera que en nuestra opinión afecte su estado o funcionamiento.

En algunos estados está prohibida la exclusión o limitación de los daños fortuitos o indirectos, por eso es posible que la limitación o exclusión anterior no se aplique a su caso. Esta Garantía le confiere derechos legales específicos y es posible que usted tenga otros derechos que varían según el estado.

Mr. Heater, Inc. se reserva el derecho de realizar cambios en cualquier momento, sin aviso u obligación, en los colores, las especificaciones, los accesorios, los materiales y los modelos.



ANSI Z83.7b/CSA 2.14b-2009

MR. HEATER, INC., 4560 W. 160TH ST., CLEVELAND, OHIO 44135 • 216-916-3000  
Mr. Heater es una marca registrada de Mr. Heater, Inc.  
© 2010, Enerco/Mr. Heater. Todos los derechos reservados

# GUIDE D'UTILISATION ET INSTRUCTIONS DE FONCTIONNEMENT

## MR. HEATER

MODÈLE

MH55FAV,, MH60FAV, MH85FAV,  
MH125FAV  
PA55FAV, PA85FAV, PA125FAV

### LISEZ SOIGNEUSEMENT LES

**INSTRUCTIONS :** Conservez les instructions en sécurité pour vous y référer ultérieurement. Interdisez à quiconque n'ayant pas lu les présentes instructions d'assembler, d'allumer, de régler ou de faire fonctionner cet appareil de chauffage.

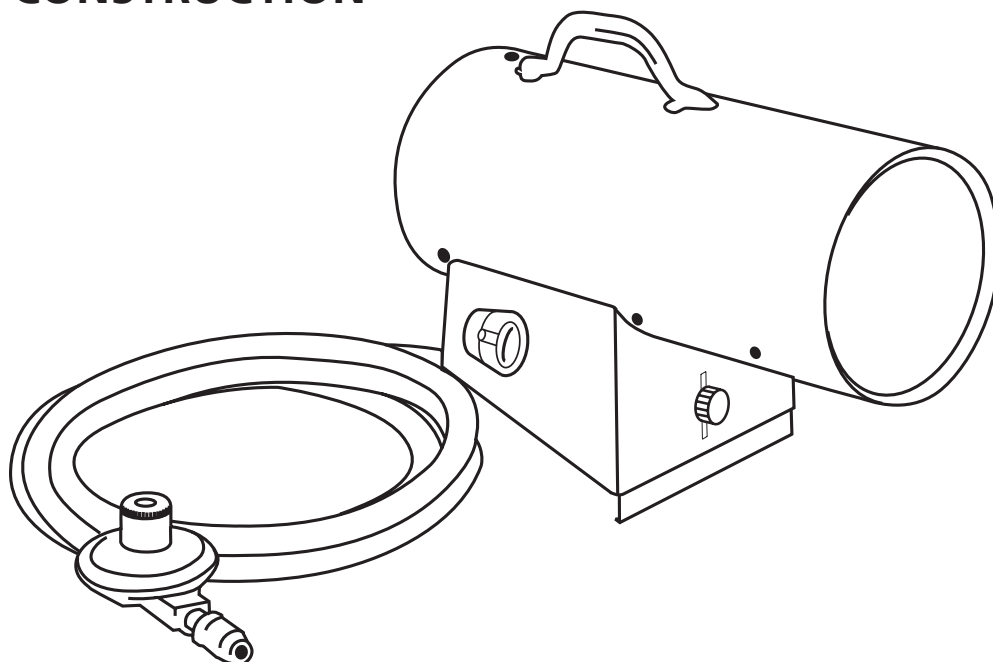
## HEATSTAR

MODÈLE

HS55FAV, HS85FAV, HS125FAV

## APPAREIL DE CHAUFFAGE AU PROPANE À AIR PULSÉ POUR CHANTIER DE CONSTRUCTION

Pour les numéros de série  
modèles, voir la page F11.



### LANGUAGES

#### ENGLISH

Pages E1 — E10

#### SPANISH

Pages S1 — S11

#### FRENCH

Pages F1 — F11



**AVERTISSEMENT :** Le fait de ne pas respecter les instructions données dans le présent guide avec exactitude risque d'entraîner une explosion ou un incendie causant des dommages matériels, des blessures et des pertes de vie.

- N'entreposez ni n'utilisez d'essence ou autres liquides ou vapeurs inflammables à proximité de ce type d'appareil.
- Aucune bonbonne de propane liquéfié non raccordée pour utilisation ne doit se trouver à proximité de cet appareil, ni d'aucun autre appareil.
- EN PRÉSENCE D'UNE ODEUR DE GAZ
  - Ne tentez pas d'allumer l'appareil de chauffage.
  - Éteignez toute flamme nue.
  - Fermez l'alimentation en gaz à l'appareil.
- L'entretien doit être effectué par un fournisseur de services d'entretien qualifié.

Cet appareil de chauffage portable alimenté au gaz n'est pas ventilé. Il utilise l'oxygène de l'air ambiant. Une circulation d'air adéquate doit être assurée pour la combustion et la ventilation. Voir page 3.

**⚠ AVERTISSEMENT :** VOTRE SÉCURITÉ PERSONNELLE ÉTANT IMPORTANTE POUR TOUS, VEUILLEZ LIRE LES INSTRUCTIONS AVANT D'UTILISER CET APPAREIL DE CHAUFFAGE.

## AVERTISSEMENT GÉNÉRAL DE DANGER

- ⚠ LE NON-RESPECT DES MESURES DE PRÉVENTION ET INSTRUCTIONS FOURNIES AVEC CET APPAREIL DE CHAUFFAGE RISQUE DE CAUSER LA MORT, DES BLESSURES GRAVES ET DES DOMMAGES OU DES PERTES MATÉRIELLES RÉSULTANT D'INCENDIE, D'EXPLOSION, DE BRÛLURE, D'ASPHYXIE, D'INTOXICATION AU MONOXYDE DE CARBONE OU D'ÉLECTROCUTION.
- ⚠ SEULES LES PERSONNES APTES À COMPRENDRE ET À RESPECTER LES INSTRUCTIONS DEVRAIENT UTILISER OU EFFECTUER L'ENTRETIEN DE CET APPAREIL DE CHAUFFAGE.
- ⚠ SI VOUS AVEZ BESOIN D'AIDE OU D'INFORMATION AU SUJET DE L'APPAREIL DE CHAUFFAGE (MANUEL D'INSTRUCTIONS, ÉTIQUETTES, ETC.), VEUILLEZ COMMUNIQUER AVEC LE FABRICANT.

**⚠ AVERTISSEMENT :** NON CONÇU POUR UNE UTILISATION DANS LA MAISON OU UN VÉHICULE RÉCRÉATIF

**⚠ AVERTISSEMENT :** DANGER D'INCENDIE, D'EXPLOSION ET D'INHALATION. CONSERVEZ LES MATÉRI-AUX COMBUSTIBLES TELS QUE LES MATÉRIAUX DE CONSTRUCTION, LE PAPIER ET LE CARTON À UNE DISTANCE SÉCURITAIRE DE L'APPAREIL DE CHAUFFAGE COMME LE RECOMMANDENT LES INSTRUCTIONS. N'UTILISEZ JAMAIS L'APPAREIL DE CHAUFFAGE DANS UN LOCAL QUI CONTIENT OU RISQUE DE CONTENIR DES PARTICULES COMBUSTIBLES EN SUSPENSION DANS L'AIR OU DES PRODUITS TELS QUE DE L'ESSENCE, DES SOLVANTS, DU DILUANT À PEINTURE, DES PARTICULES DE POUSSIÈRE OU DES PRODUITS CHIMIQUES INCONNUS.

**L'État de la Californie exige que l'avertissement suivant soit fourni :**

**⚠ AVERTISSEMENT:** L'UTILISATION DE CET APPAREIL CRÉE DES SOUS-PRODUITS DE COMBUSTION CONTENANT DU MONOXYDE DE CARBONE, UN PRODUIT CHIMIQUE RECONNU PAR L'ÉTAT DE LA CALIFORNIE COMME CAUSE DE CANCER ET D'ANOMALIES CONGÉNITALES (OU AUTRES RISQUES POUR LA REPRODUCTION).

## TABLE DES MATIÈRES

|  |      |
|--|------|
| SPÉCIFICATIONS .....                             | F-2  |
| AVERTISSEMENTS .....                             | F-2  |
| PRÉCAUTIONS LIÉES AU FONCTIONNEMENT .....        | F-3  |
| PRÉCAUTIONS LIÉES À LA SÉCURITÉ.....             | F-4  |
| AVERTISSEMENT LIÉ AUX SUBSTANCES ODORANTES ..... | F-5  |
| INSTRUCTIONS DE FONCTIONNEMENT .....             | F-6  |
| ENTRETIEN.....                                   | F-6  |
| TABLEAU DE DIMENSIONS ET CONTENANCES .....       | F-7  |
| SCHÉMAS DE CÂBLAGE.....                          | F-8  |
| PIÈCES POUR LE MODÈLE 55FAV .....                | F-9  |
| PIÈCES POUR LE MODÈLE 60FAV.....                 | F-9  |
| PIÈCES POUR LE MODÈLE 85FAV .....                | F-9  |
| PIÈCES POUR LE MODÈLE 125FAV .....               | F-9  |
| GARANTIE .....                                   | F-11 |

## SPÉCIFICATIONS

Type de gaz : ..... Pour utilisation de gaz propane seulement

Pression de l'alimentation en gaz  
au régulateur ..... Max. : Pression de la bonbonne  
à la sortie du régulateur : 27,5" W.C. (6,84 kPa)  
Minimum : 34,5 kPa (5 lb/po<sup>2</sup>)

Consommation électrique : 115 V, 60 Hz, 1 Ø, 3 A  
Tension de fonctionnement min. : 100 V

Allumage : ..... Par étincelle

Commande principale de la flamme : ..... Robinet à gaz activé par thermocouple

Commande de température  
maximale : ..... 116 °C (240 °F)  
Temp. ambiante min. évaluée à  
-17,8 °C (0 °F)

# SPÉCIFICATIONS

| Modèle :                           | 55FAV                      | 60FAV                      | 85FAV                      | 125FAV                     |
|------------------------------------|----------------------------|----------------------------|----------------------------|----------------------------|
| évaluée à :                        | 30 000 à 55 000 Btu/h      | 30 000 à 65 000 Btu/Hr     | 50 000 à 85 000 Btu/h      | 75 000 à 125 000 Btu/h     |
|                                    | (de 8,8 à 16,1 kW)         | (de 8,8 à 19,0 kW)         | (de 14,6 à 25,0 kW)        | (de 21,9 à 36,6 kW)        |
| Consommation de gaz :              | De 0,64 à 1,1 kg/h         | De 0,64 à 1,36 kg/h        | De 1,04 à 1,77 kg/h        | De 1,59 à 2,63 kg/h        |
| Nombre d'orifices de combustible : | 18                         | 18                         | 18                         | 18                         |
| Dimension des orifices :           | 0,50 mm                    | (0,52mm)                   | 0,60 mm                    | 0,75 mm                    |
|                                    | (0,0196 po)                | (0,0247 po)                | (0,0236 po)                | (0,0295 po)                |
| Sortie d'air chauffé :             | 8,49 m <sup>3</sup> /min   | 8,49 m <sup>3</sup> /min   | 8,49 m <sup>3</sup> /min   | 9,91 m <sup>3</sup> /min   |
|                                    | (300 pi <sup>3</sup> /min) | (300 pi <sup>3</sup> /min) | (300 pi <sup>3</sup> /min) | (350 pi <sup>3</sup> /min) |
| Élev. moyenne temp. de l'air :     | 111 °C (200 °F)            | 111 °C (200 °F)            | 111 °C (200 °F)            | 232 °C (400 °F)            |

## PRÉCAUTIONS LIÉES AU FONCTIONNEMENT

Cet appareil de chauffage à air pulsé et à feu direct fonctionne au gaz propane. Il est destiné principalement à chauffer temporairement des édifices en construction, en rénovation ou en réparation.

Le gaz propane est plus lourd que l'air. Si du gaz propane fuit d'une connexion ou d'un raccord, il se dirige vers le plancher, se mélange avec l'air ambiant et forme un mélange potentiellement explosif. Évidemment, les fuites de gaz propane devraient être évitées; il est donc important de raccorder l'alimentation en propane avec le plus grand soin. Veuillez lire le feuillet « Substance odorante et gaz propane » ci-joint pour obtenir plus de précisions relatives à la détection des fuites de gaz propane. Vérifiez la présence de fuite aux nouvelles connexions et raccords en utilisant un mélange d'eau et de savon et suivez les instructions mentionnées. Obtenez également les conseils de votre détaillant quant à votre installation au propane et posez-lui toute question que vous auriez à cet égard.

Cet appareil a été conçu et homologué pour être utilisé comme appareil de chauffage pour chantier de construction, conformément à la norme Z83.7/CGA 2,14-2000 de l'ANSI. Soumettez à l'organisme local responsable de la sécurité et des incendies toute question relative à votre type d'installation. Selon le type d'application, d'autres normes peuvent s'appliquer et régir l'utilisation des produits de combustion, de gaz combustible et des appareils de chauffage. L'organisme local qui en est responsable saura vous conseiller à cet égard.

Le fonctionnement à feu direct de cet appareil signifie que tous les produits de combustion se retrouvent dans l'air ambiant. Même si l'efficacité de combustion de l'appareil de chauffage est presque complète, il produit quand même de petites quantités de monoxyde de carbone. Le monoxyde de carbone (appelé CO) est toxique. Notre organisme ne peut en supporter que de faibles quantités. Il est possible que le CO s'accumule dans le local à chauffer. Une ventilation inadéquate pourrait ainsi causer la mort. Les symptômes ressentis en cas de ventilation inadéquate sont les suivants :

- mal de tête
- étourdissement
- sensation de brûlure au nez et aux yeux
- nausée
- mal de gorge ou bouche sèche

Assurez-vous donc de respecter les conseils au sujet de la ventilation mentionnés dans ces instructions.

Un appareil à air pulsé signifie que l'air est soufflé dans l'appareil de chauffage par un ventilateur. La qualité de la combustion dépend du débit d'air. Par conséquent, l'appareil de chauffage ne doit pas être modifié ni fonctionner si des pièces sont manquantes. Dans le même ordre d'idées, les systèmes de sécurité ne doivent pas être contournés ni modifiés pour faire fonctionner l'appareil.

Lorsque l'appareil de chauffage doit fonctionner en présence d'autres personnes, l'utilisateur est responsable d'informer ces dernières des instructions et précautions liées à la sécurité et de les avertir des dangers inhérents.



## PRÉCAUTIONS LIÉES À LA SÉCURITÉ

- Vérifiez attentivement si l'appareil de chauffage a subi des dommages. NE FAITES PAS fonctionner un appareil endommagé.
- NE MODIFIEZ PAS l'appareil de chauffage et ne le faites pas fonctionner s'il n'est plus dans son état d'origine.
- Utilisez uniquement du gaz propane.
- Utilisez uniquement une alimentation au propane à ÉLIMINATION DES ÉMANATIONS. Si vous avez des questions à propos de l'élimination des émanations, consultez votre détaillant de gaz propane.
- Installez les bonbonnes de propane verticalement (robinet de fermeture vers le haut). Fixez-les comme il convient de sorte qu'ils ne puissent se décrocher accidentellement et protégez-les contre les dommages.
- Placez les réservoirs de gaz propane à une distance minimale (aux États-Unis) de 2,13 m (7 pi) ou (au Canada) de 3 m (10 pi) de l'appareil de chauffage et **n'orientez pas** l'échappement directement vers les réservoirs.
- IMPORTANT** Utilisez uniquement le tuyau et le régulateur fournis avec l'appareil. Faites correspondre la bande de couleur de l'étiquette fixée au tuyau à la couleur de l'étiquette située près du raccord d'entrée de gaz propane sur l'appareil. Inspectez le tuyau avant chaque utilisation de l'appareil de chauffage. En cas d'abrasion, d'usure excessive ou de coupure, remplacez le tuyau par l'ensemble de tuyaux recommandé avant d'utiliser l'appareil de chauffage.
- Pour utilisation intérieure seulement. La ventilation doit être adéquate. **Figure 1.** (voir également « Précautions liées au fonctionnement »).
- Si une odeur de gaz est détectée, ARRÊTEZ IMMÉDIATEMENT l'appareil de chauffage jusqu'à ce que la source d'émission du gaz ait été localisée et colmatée. Veuillez lire le feuillet « Substance odorante et gaz propane » ci-joint pour obtenir plus de précisions relatives à la détection des fuites de gaz propane.
- Placez l'appareil de chauffage de façon à ce qu'il ne soit pas exposé directement à l'eau.
- Conservez un écart minimal entre l'appareil et tout matériel combustible (tel que du papier). **Figure 2.**
- En raison des températures élevées de la surface et de l'échappement, les adultes et les enfants doivent respecter les distances de sécurité pour éviter des brûlures et l'inflammation des vêtements.
- Utilisez uniquement sur des surfaces stables et de niveau.
- N'utilisez pas l'appareil avec des conduits d'air. N'obstruez pas l'entrée et la sortie d'air.
- N'utilisez qu'avec l'alimentation électrique spécifiée. Le raccordement électrique et la mise à la terre doivent être conformes au Code national de l'électricité - ANSI/NFPA 70 (aux États-Unis) - et à la norme CSA C22.1, partie 1 du Code canadien de l'électricité (au Canada).
- N'utilisez qu'avec une prise ou une rallonge mise à la terre munie de trois broches.
- Ne déplacez pas l'appareil, ne le touchez pas et n'essayez pas d'en faire l'entretien alors qu'il est chaud.
- Vous ne devez jamais ajuster la hauteur du tube de combustion de l'appareil de chauffage lorsque l'appareil est chaud ou fonctionne. **Les réglages de hauteur doivent être faits uniquement lorsque l'appareil n'est pas chaud au toucher.**
- Utilisez l'appareil en observant les codes de sécurité en vigueur localement ou référez-vous aux normes relatives à l'entreposage et à la manutention des produits de pétrole liquéfiés ANSI/NFPA 58 et CSA B149.1 du Code d'installation du gaz naturel et du gaz propane.

Figure 1

VENTILATION : Ouvertures minimales requises

| Appareil de chauffage    | Ouverture près du plancher | Ouverture près du plafond |
|--------------------------|----------------------------|---------------------------|
| air pulsé (55, 60).....  | 1 pi <sup>2</sup> .....    | 1 pi <sup>2</sup>         |
| Air pulsé (85, 125)..... | 2 pi <sup>2</sup> .....    | 2 pi <sup>2</sup>         |

Figure 2

ÉCART MINIMUM : entre l'appareil et tout matériel combustible.

| Écart             | Air pulsé 55, 60, 85, 125 |
|-------------------|---------------------------|
| Du plancher ..... | 0 pi                      |
| De la sortie..... | 6 pi                      |
| Des côtés.....    | 2 pi                      |
| Du dessus.....    | 3 pi                      |

Placez l'appareil à 3 m (10 pi) des bâches et des revêtements similaires, et fixez-les afin d'empêcher tout battement ou mouvement causé par le vent.

## AVERTISSEMENT LIÉ AUX SUBSTANCES ODORANTES

### AVERTISSEMENT

#### ⚠ Risque d'asphyxie

- Cet appareil ne doit pas être utilisé pour le chauffage de locaux où demeurent des gens.
- Ne l'utilisez pas dans des endroits non aérés.
- Le débit de chaleur et d'air de ventilation ne doit pas être obstrué.
- Le processus de combustion de cet appareil exige un apport adéquat en air de ventilation.
- Consultez la rubrique portant sur les spécifications techniques dans le manuel de l'appareil ou sur la plaque de données de l'appareil, ou communiquez avec le fabricant pour obtenir les renseignements relatifs aux exigences en apport d'air de ventilation pour la combustion.
- Le processus de combustion ne peut s'effectuer correctement si l'apport en air de ventilation est insuffisant.
- Une combustion inadéquate produit des émanations nocives de monoxyde de carbone pouvant entraîner des troubles de santé graves, voire mortels. Les symptômes d'empoisonnement au monoxyde de carbone sont les maux de tête,

les étourdissements et la difficulté respiratoire.

### ODEUR DE GAZ COMBUSTIBLE

**Des additifs odorants ont été ajoutés au gaz propane liquéfié et au gaz naturel dans le but de faciliter la détection de fuites.**

**Vous devriez remarquer une odeur de gaz combustible s'il y a une fuite. Comme le gaz propane (liquéfié) est plus lourd que l'air, l'odeur de gaz se détecte plus facilement près du sol. TOUTE ODEUR DE GAZ EST UN SIGNAL QU'IL FAUT INTERVENIR IMMÉDIATEMENT!**

- Ne prenez aucune mesure qui provoquerait l'allumage des vapeurs de gaz. N'utilisez aucun interrupteur électrique. Ne tirez sur aucune source d'alimentation électrique ou rallonge électrique. N'allumez pas d'allumettes ni aucune source de flamme. N'utilisez pas votre téléphone.
- Faites évacuer immédiatement toute personne se trouvant dans l'immeuble.
- Fermez tous les robinets d'alimentation du réservoir de gaz propane (liquéfié) ou de la bonbonne, ainsi que le robinet d'alimentation principale situé sur le compteur, si vous utilisez du gaz naturel.
- Le gaz propane (liquéfié) est plus lourd que l'air et peut s'accumuler dans les endroits près du sol. Si vous croyez qu'il y a une fuite de gaz propane, éloignez-vous des endroits plus bas.
- Utilisez le téléphone d'un voisin et communiquez avec votre fournisseur en gaz combustible et votre service d'incendies. Ne retournez pas dans l'immeuble ou dans le secteur.
- N'entrez pas dans l'immeuble et restez-en à l'écart jusqu'à

ce que le personnel du service des incendies ou le fournisseur en gaz combustible ait confirmé que l'endroit ne comporte aucun risque.

- EN DERNIER LIEU, laissez le personnel du service des incendies ou d'approvisionnement en gaz combustible vérifier si du gaz s'échappe. Assurez-vous qu'ils aient aéré l'immeuble avant d'y retourner. Le personnel d'entretien expérimenté doit colmater toute fuite, vérifier la présence d'autres fuites, puis se charger d'allumer l'appareil pour vous.

### SUBSTANCE ODORANTE AUCUNE ODEUR DÉCELÉE

- Certaines personnes ne détectent pas bien les odeurs. Il est donc possible que certaines personnes ne puissent sentir la substance odorante ajoutée au gaz propane (liquéfié) ou au gaz naturel. Vous devez savoir si vous arrivez à déceler l'odeur de cette substance dans le gaz combustible.
- Apprenez à reconnaître l'odeur du gaz propane et celle du gaz naturel. Pour ce faire, les détaillants de gaz propane (liquéfié) locaux seront heureux de vous fournir un feuillet comprenant une pastille à humer. Servez-vous de cette pastille pour vous aider à reconnaître l'odeur de gaz combustible.
- Le tabagisme peut nuire à votre faculté olfactive. Votre facilité à déceler une odeur quelconque peut s'estomper si vous demeurez un certain temps dans un endroit où cette odeur est présente. La présence d'animaux dans des endroits clos peut aussi masquer l'odeur du gaz combustible.
- **La substance odorante contenue dans le gaz propane (liquéfié) et le gaz naturel est incolore et, selon certaines circonstances, son odeur pourrait s'estomper.**
- En cas de fuite souterraine, le déplacement du gaz dans le sol peut filtrer l'odeur.
- L'intensité de l'odeur du gaz propane (liquéfié) peut varier à différents niveaux. Étant donné que le gaz propane (liquéfié) est plus lourd que l'air, l'odeur peut être plus prononcée à des niveaux inférieurs.
- **Portez toujours attention à la moindre odeur de gaz.** Si une odeur de gaz persiste, même si elle est minime, agissez comme s'il s'agissait d'une fuite importante. Intervenez immédiatement tel que décrit précédemment.

### ATTENTION POINTS ESSENTIELS À RETENIR!

- Le gaz propane (liquéfié) dégage une odeur particulière. Apprenez à reconnaître cette odeur. Consultez les rubriques Odeur du gaz combustible et Substance odorante, ci-dessus.
- Même si vous n'avez pas été formé pour effectuer l'entretien et la réparation de l'appareil, soyez TOUJOURS attentif aux odeurs que dégagent le gaz propane (liquéfié) et le gaz naturel.
- Si vous n'êtes pas formé pour procéder à l'entretien et à la réparation des appareils au gaz propane (liquéfié), ne tentez pas d'allumer l'appareil, de le réparer ou de l'entretenir, ni d'apporter des réglages au système d'alimentation en gaz propane de l'appareil.
- Peu importe les conditions, une bonne pratique de sécurité consiste à sentir de temps à autre autour de

## INSTRUCTIONS DE FONCTIONNEMENT AVANT LE FONCTIONNEMENT

1. Vérifiez soigneusement tout dommage qu'aurait pu subir l'appareil de chauffage pendant l'expédition. Si vous en découvrez, avertissez *immédiatement* le fabricant.
2. Respectez toutes les « Précautions ».
3. Branchez le raccord POL (filet à gauche) du tuyau et du régulateur en tournant l'écrou POL en sens anti-horaire dans la sortie du robinet de la bonbonne de gaz propane, puis serrez-le avec une clé.
4. Raccordez le tuyau à l'appareil de chauffage en tournant le raccord en sens horaire.
5. Serrez fermement toutes les connexions de gaz.
6. Ouvrez le robinet de gaz de la bonbonne et vérifiez toutes les connexions au moyen d'un mélange d'eau et de savon. N'UTILISEZ PAS DE FLAMME.
7. Raccordez le cordon d'alimentation à une source d'alimentation électrique de 115 V, 60 Hz, 1 Ø, mise à la terre correctement.
8. Lorsque vous utilisez une rallonge électrique, assurez-vous que celle-ci comporte trois fils (mis à la terre) de dimension appropriée.

### DÉMARRAGE

1. Avant d'allumer l'appareil de chauffage, laissez toujours le ventilateur de l'appareil fonctionner pendant 20 secondes pour éliminer le gaz combustible.
2. Ouvrez lentement le robinet principal de la bouteille de propane.
3. Enfoncez le bouton du robinet de gaz pour allumer le chauffage.
4. Une fois le brûleur allumé, gardez le bouton du robinet de gaz enfoncé pendant 15 secondes avant de le relâcher, et l'appareil de chauffage restera en fonction.
5. Réglez le taux de combustion avec le clapet à bille au réglage souhaité.
6. L'allumeur fonctionne tant que le cordon d'alimentation est branché
  - a) L'allumeur est continuellement en marche
7. Aucun thermostat n'est disponible pour ces unités.

### ARRÊT

1. Fermez le robinet sur la bonbonne de gaz propane.
2. Laissez l'appareil fonctionner jusqu'à ce que tout le gaz dans le tuyau ait brûlé.

3. Débranchez le cordon d'alimentation.

### REDÉMARRAGE APRÈS UN ARRÊT D'URGENCE

1. Fermez complètement le robinet sur la bonbonne de gaz propane. Débranchez l'appareil de chauffage.
2. Attendez cinq minutes.
3. Recommencez la procédure « DÉMARRAGE ».

### ENTRETIEN ET ENTREPOSAGE

1. L'appareil de chauffage doit être vérifié avant chaque utilisation et au moins une fois par année par un technicien qualifié.
2. Avant chaque utilisation, vérifiez l'assise du joint torique souple à la partie arrondie du raccord POL (filet à gauche). Si le joint torique est coupé, usé ou endommagé de quelque façon, remplacez-le par la pièce n° 73786.
3. Coupez l'alimentation en gaz propane liquéfié quand l'appareil n'est pas utilisé.
4. Quand l'appareil de chauffage est rangé à l'intérieur, la connexion entre la bonbonne d'alimentation en gaz propane liquéfié et l'appareil doit être débranchée et la bonbonne doit être retirée de l'appareil et rangée à l'extérieur, tel que précisé au chapitre 5 de la norme relative au rangement et à la manutention des produits de pétrole liquéfiés ANSI/NFPA 58 et CSA B149.1 du Code d'installation du gaz naturel et du gaz propane.

### ENTRETIEN

Un appareil de chauffage qui a été modifié ou qui ne fonctionne pas correctement risque d'être une cause de dangers. Lorsqu'il fonctionne correctement :

- La flamme reste dans l'appareil de chauffage.
- La flamme a une teinte bleue avec des pointes de couleur jaune.
- Il n'y a pas de forte odeur désagréable, ni de sensation de brûlure aux yeux, ni de malaise physique en général.
- Il n'y a pas de production de fumée ou de suie à l'intérieur ou à l'extérieur de l'appareil de chauffage.
- Il ne se produit pas d'arrêts imprévus ou inexplicables de l'appareil.

La liste des pièces et le schéma de câblage présentent l'appareil de chauffage tel qu'il a été construit. N'utilisez pas un appareil de chauffage qui diffère de ce qui est illustré. N'utilisez à cet effet que le tuyau, le régulateur et le raccord de bonbonne (appelé raccord POL) fournis avec l'appareil de chauffage.

**IMPORTANT** Faire correspondre la bande de couleur de l'étiquette fixée au tuyau à la couleur de l'étiquette située près du raccord d'entrée de gaz propane. N'utilisez aucun élément de substitution. Sur cet appareil de chauffage, le régulateur doit être réglé tel qu'indiqué à la rubrique « Spécifications ». Si vous avez un doute au sujet du réglage du régulateur, faites-le vérifier.

Si un appareil de chauffage ne fonctionne pas correctement, il doit être réparé, mais seulement par un technicien formé et expérimenté.

Les produits couverts par la garantie seront réparés sans frais, pièces et main-d'œuvre comprises. Veuillez joindre une courte description de la nature du problème avec la date, le lieu et la preuve d'achat.

Les produits non couverts par la garantie seront réparés aux frais (pièces et main-d'œuvre) du client.

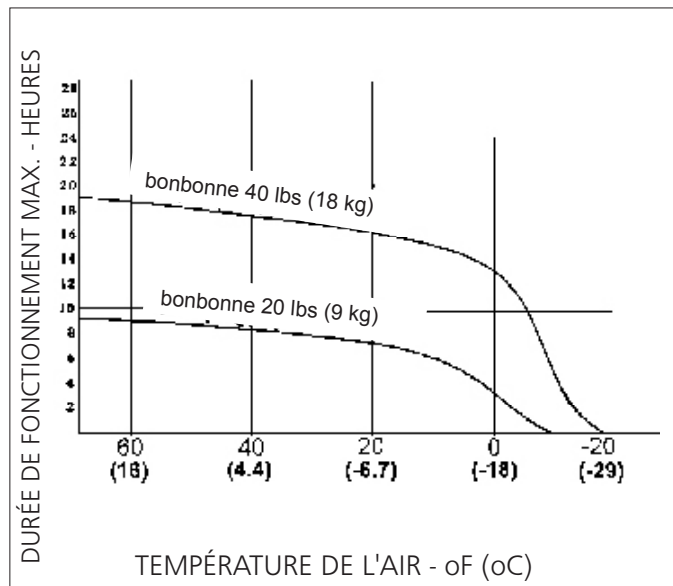
# TABLEAU DE DIMENSIONS ET CONTENANCES DES BONBONNES DE GAZ PROPANE REQUISES

Les tableaux qui suivent indiquent la taille approximative de la bonbonne de gaz requise pour ces appareils de chauffage. Pour utiliser le tableau :

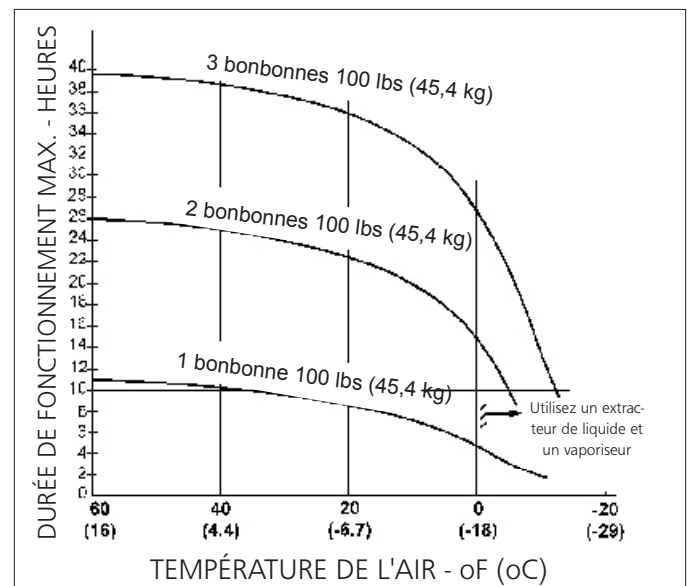
1. Sélectionnez la température de l'air la plus basse prévue (au bas du tableau).
2. Allez ensuite directement au haut du tableau au temps d'utilisation désiré (côté gauche du tableau).
3. Notez la dimension de la bonbonne requise.

Tous les appareils de chauffage doivent :  
 être munis de bonbonne pleine  
 disposer d'une bonne circulation d'air  
 ne présenter aucun signe de givre

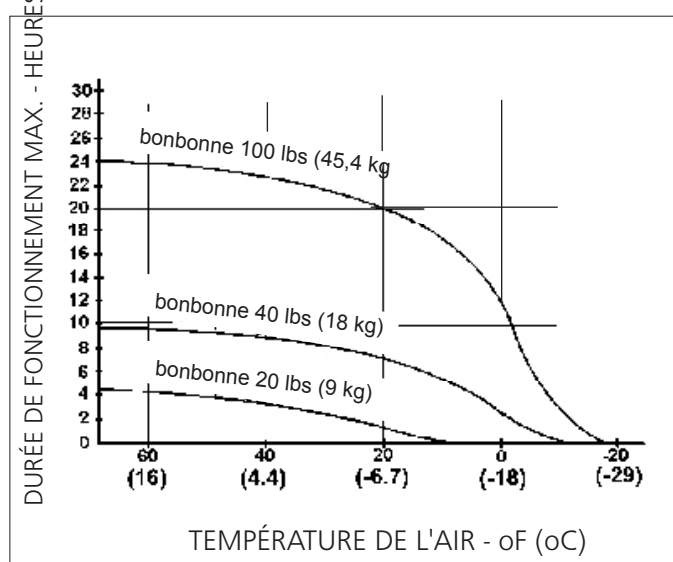
## 55 000 BTU/H (16,1 kW)



## 125 000 BTU/H (49,1 kW)



## 85 000 BTU/H (33,4 kW)



# SCHÉMAS DE CÂBLAGE

SCHEMA DE CONNEXION

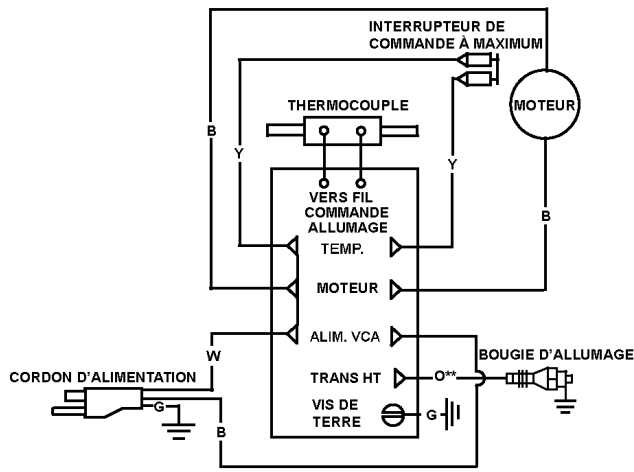
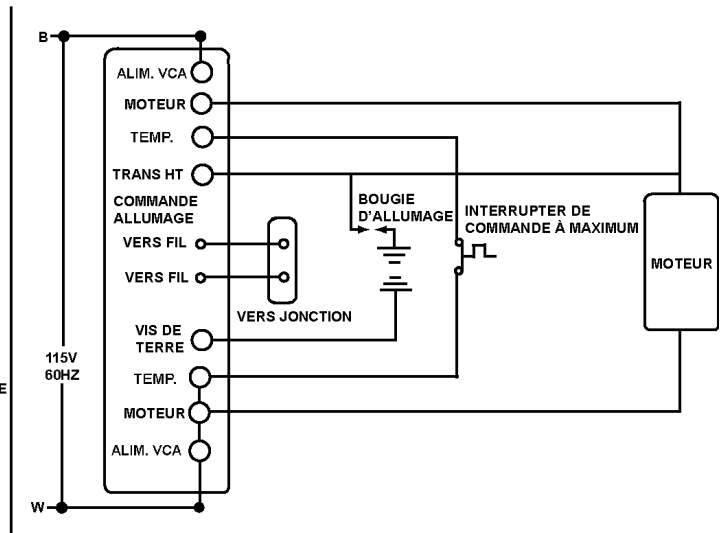


SCHÉMA DE CIRCUITS



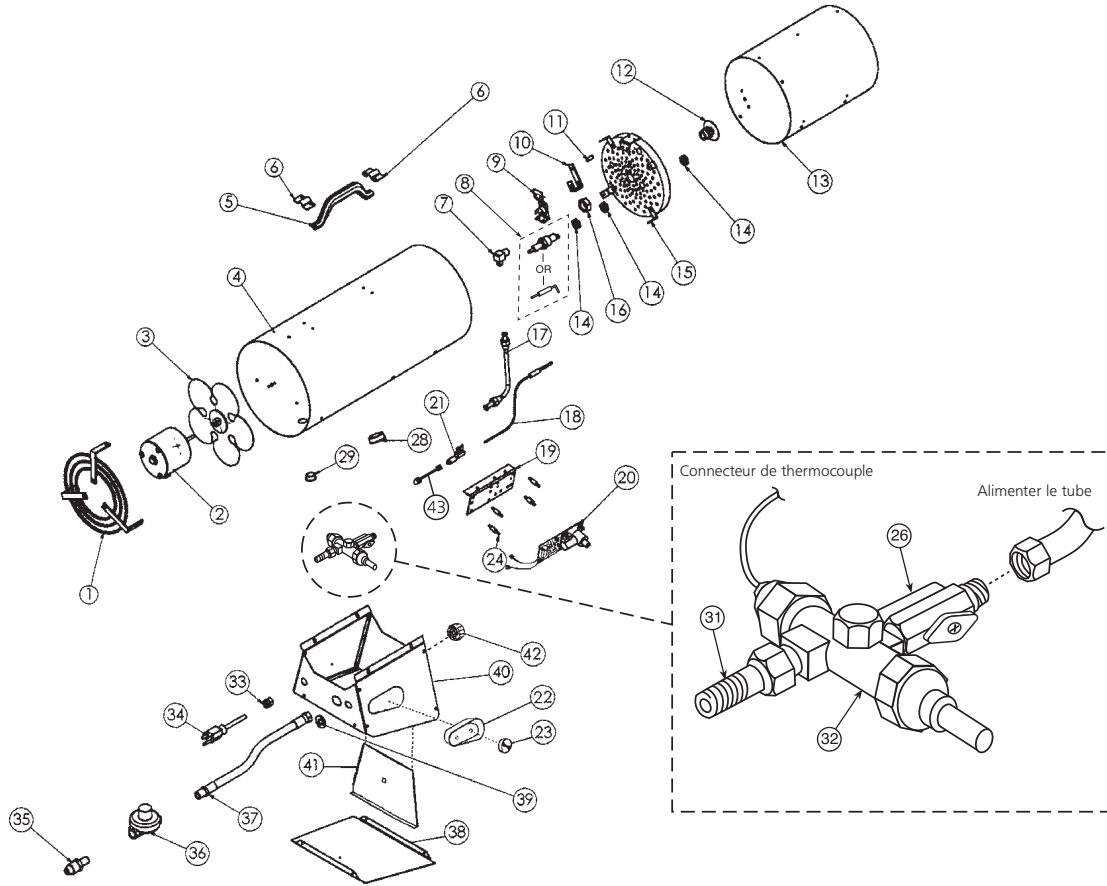
| COLOR CODE |         | LEGEND                  |
|------------|---------|-------------------------|
| B NOIR     | R ROUGE | CONNECTEUR FEMELLE      |
| W BLANC    | Y JAUNE | RONDELLE D'ACCOUPLEMENT |
| G VERT     | O ORG   |                         |

**NOTA:** SI DU CÂBLAGE D'ORIGINE FOURNI AVEC L'APPAREIL DE CHAUFFAGE DOIT ÊTRE REMPLACÉ, IL DOIT L'ÊTRE PAR DU CÂBLAGE DE TYPE AWG 105° C OU UN ÉQUIVALENT, À MOINS D'INDICATION CONTRAIRE (\*Type SF 2.200, \*\*SGI-250° C)

## SCHÉMA DE CÂBLAGE

| Couleur | Longueur    | De                                 | à                               |
|---------|-------------|------------------------------------|---------------------------------|
| Jaune   | 18" (406mm) | Interrupteur De Commande À Maximum | Ignition Control Temp. Terminal |
| Jaune   | 18" (406mm) | Interrupteur De Commande À Maximum | Ignition Control Temp Terminal  |

## Appareil de chauffage au propane à air pulsé pour chantier de construction



| RÉF. N° | N° ART. |       |       |        | DESCRIPTION                           | QTÉ | RÉF. N° | N° ART.  |          |          |          | DESCRIPTION                             | QTÉ |
|---------|---------|-------|-------|--------|---------------------------------------|-----|---------|----------|----------|----------|----------|---|-----|
|         | 55FAV   | 60FAV | 85FAV | 125FAV |                                       |     |         | 55FAV    | 60FAV    | 85FAV    | 125FAV   |   |     |
| 1       | 21654   | 21654 | 21654 | 21671  | Grille du moteur                      | 1   |         |          |          |          |          |   |     |
| 2       | 21652   | 21652 | 21652 | 21551  | Moteur                                | 1   |         |          |          |          |          |   |     |
| 3       | 26086   | 26086 | 26086 | 27898  | Ventilateur                           | 1   |         |          |          |          |          |   |     |
| 4       | 21729   | 21729 | 21729 | 21998  | Coque extérieure                      | 1   |         |          |          |          |          |   |     |
|         | 21730   | 21730 | 21730 | 21999  | Coque extérieure – Modèle TS          | 1   |         |          |          |          |          |   |     |
| 5       | 28075   | 28075 | 28075 | 28075  | Poignée, plastique                    | 1   |         |          |          |          |          |   |     |
| 6       | 28074   | 28074 | 28074 | 28074  | Fixation de poignée à clip, plastique | 1   |         |          |          |          |          |   |     |
| 7       | 26121   | 26121 | 26121 | 27433  | Raccord, coude mâle                   | 1   |         |          |          |          |          |   |     |
| 8       | 21082   | —     | —     | 21083  | Bougie d'allumage                     | 1   |         |          |          |          |          |   |     |
|         | —       | 28166 | 28167 | —      | Électrode d'Allumage électronique     | 1   |         |          |          |          |          |   |     |
| 9       | 21751   | 21751 | 21751 | 22003  | Limiteur supérieur                    | 1   |         |          |          |          |          |   |     |
| 10      | —       | —     | 23036 | 23036  | Support thermocouple                  | 1   |         |          |          |          |          |   |     |
| 11      | —       | —     | 23787 | 23787  | Entretoise thermocouple               | 1   |         |          |          |          |          |   |     |
| 12      | 21930   | 22008 | 22007 | 22002  | Orifice, LP                           | 1   |         |          |          |          |          |   |     |
| 13      | 21651   | 21651 | 22006 | 22001  | Cylindre médian                       | 1   |         |          |          |          |          |   |     |
| 14      | 23037   | 23037 | 23037 | 23037  | Écrou de bougie (2-55FAV)             | 3   |         |          |          |          |          |   |     |
| 15      | 21931   | 22006 | 22009 | 22004  | Veilleuse                             | 1   |         |          |          |          |          |   |     |
| 16      | 23038   | 23038 | 23038 | 23038  | Fixation, écrou d'orifice             | 1   |         |          |          |          |          |   |     |
| 17      | 21941   | 21655 | 21655 | 21655  | Tube de carburant                     | 1   |         |          |          |          |          |   |     |
| 18      | 26654   | 26655 | 26654 | 26654  | Thermocouple 13" Lg avec JB           | 1   |         |          |          |          |          |   |     |
| 19      | 23045   | 23045 | 23045 | 23045  | Support allumage / relais             | 1   |         |          |          |          |          |   |     |
| 20      | 23276   | 23276 | 23276 | 23276  | Allumage / module de relais           | 1   |         |          |          |          |          |   |     |
| 21      | 26134   | 26134 | 26134 | 26134  | Bloc compresseur, relais              | 1   |         |          |          |          |          |   |     |
| 22      | 27093   | 27093 | 27093 | 27093  | Couvercle, godet, robinet             | 1   |         |          |          |          |          |   |     |
| 23      | 25027   | 25027 | 25027 | 25027  | Bouton, débit, variable               | 1   |         |          |          |          |          |   |     |
| 24      | 26079   | 26079 | 26079 | 26079  | Entretoise PC                         | 3   |         |          |          |          |          |   |     |
| 26      | 27422   | 22010 | 22011 | 27418  | Vanne, débit variable                 | 1   |         |          |          |          |          |   |     |
| 28      | 26225   | 26225 | —     | 26227  | Douille pression                      | 1   |         |          |          |          |          |   |     |
| 29      | 26224   | 26224 | —     | 27158  | Douille pression, 1/2                 | 1   |         |          |          |          |          |   |     |
| 31      | 26127   | 26127 | 26127 | 26127  | Raccord, connecteur mâle              | 1   |         |          |          |          |          |   |     |
| 32      | 27285   | 27285 | 27285 | 27285  | Vanne thermoélectrique                | 1   |         |          |          |          |          |   |     |
|         |         |       |       |        |                                       |     | 33      | 26223    | 26223    | 26223    | 26223    | Douille anti-tension                    | 1   |
|         |         |       |       |        |                                       |     | 34      | 21036    | 21036    | 21036    | 21036    | Cordon d'alimentation                   | 1   |
|         |         |       |       |        |                                       |     | 35      | 26433    | 26433    | 26433    | 26433    | POL débit excessif 1/4 MPT              | 1   |
|         |         |       |       |        |                                       |     | 36      | 26257    | 26257    | 26257    | 26257    | Régulateur 28" C.E. W/POL               | 1   |
|         |         |       |       |        |                                       |     | 37      | 26152    | 26152    | 26152    | 26152    | Tuyau, LP                               | 1   |
|         |         |       |       |        |                                       |     | *       | 26152-20 | 26152-20 | 26152-20 | 26152-20 | Assemblage de Tuyau, 20' (HS seulement) | 1   |
|         |         |       |       |        |                                       |     | *       | 21667    | 21667    | 21667    | 21667    | Assemblage de Tuyau                     | 1   |
|         |         |       |       |        |                                       |     | 38      | 24017    | 24019    | 24017    | 24019    | Panneau, partie inférieure              | 1   |
|         |         |       |       |        |                                       |     | 40      | 24020    | 24020    | 24020    | 24022    | Boîte de commande                       | 1   |
|         |         |       |       |        |                                       |     | 41      | 24023    | 24023    | 24023    | 24025    | Plaque de soulèvement                   | 1   |
|         |         |       |       |        |                                       |     | 42      | 25026    | 25026    | 25026    | 25026    | Bouton de soulèvement                   | 1   |
|         |         |       |       |        |                                       |     | 43      | 26656    | 26656    | 26656    | 26656    | Thermocouple, connecteur                | 1   |
|         |         |       |       |        |                                       |     | *       | 26189    | —        | —        | —        | Borne "Y"                               | 2   |
|         |         |       |       |        |                                       |     | *       | 23676    | 23676    | 23676    | —        | Support, montage du moteur              | 1   |
|         |         |       |       |        |                                       |     | *       | 26226    | 26226    | 26226    | —        | Douille universelle                     | 1   |
|         |         |       |       |        |                                       |     | *       | 21667    | 21667    | 21667    | 21667    | Assemblage tuyau/régulateur             | 1   |
|         |         |       |       |        |                                       |     | *       | 70056    | 70056    | 70056    | 70056    | Manuel d'utilisation                    | 1   |
|         |         |       |       |        |                                       |     | *       | 28733    | 28163    | 28724    | 28510    | Étiquette, modèle                       | 1   |
|         |         |       |       |        |                                       |     | *       | 27783    | 28727    | 28727    | 28784    | Étiquette, instr. d'utilisation         | 1   |
|         |         |       |       |        |                                       |     | *       | 26374    | 26374    | 26374    | 26374    | Étiquette, mise à la terre              | 1   |
|         |         |       |       |        |                                       |     | *       | 27709    | 27709    | 27709    | 27709    | Étiquette, carburant                    | 1   |
|         |         |       |       |        |                                       |     | *       | 27503    | 27503    | 27503    | 27503    | Étiquette, sch. câblage                 | 1   |
|         |         |       |       |        |                                       |     | *       | 26373    | 26373    | 26373    | 26373    | Étiquette, rotation ventilateur         | 1   |
|         |         |       |       |        |                                       |     | *       | 28203    | 28203    | 28203    | 28203    | Étiquette suspendue, LP                 | 1   |
|         |         |       |       |        |                                       |     | *       | 27704    | 27704    | 27704    | 27704    | Étiquette, avertissement                | 1   |
|         |         |       |       |        |                                       |     | *       | 26375    | 26375    | 26375    | 26375    | Étiquette, réglage de hauteur           | 1   |
|         |         |       |       |        |                                       |     | *       | 26376    | 26376    | 26376    | 26376    | Étiquette, réglage Btu/h                | 1   |

\* Composant non illustré sur la vue éclatée.

**Cette page a intentionnellement quitté le blanc.**

# GUIDE D'UTILISATION ET INSTRUCTIONS DE FONCTIONNEMENT

## MR. HEATER

MODÈLE

MH55FAV, MH60FAV, MH85FAV,  
MH125FAV  
PA55FAV, PA85FAV, PA125FAV

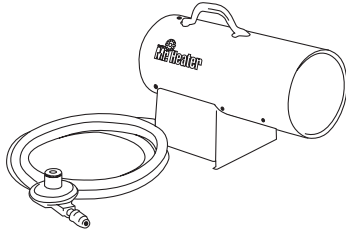
### LISEZ SOIGNEUSEMENT LES

**INSTRUCTIONS :** Conservez les instructions en sécurité pour vous y référer ultérieurement. Interdisez à quiconque n'ayant pas lu les présentes instructions d'assembler, d'allumer, de régler ou de faire fonctionner cet appareil de chauffage.

## HEATSTAR

MODÈLE

HS55FAV, HS85FAV, HS125FAV



**AVERTISSEMENT:** N'UTILISEZ QUE LES PIÈCES DE REMPLACEMENT DU FABRICANT. L'UTILISATION D'AUTRES PIÈCES RISQUE DE CAUSER DES BLESSURES ET LA MORT. LES PIÈCES DE REMPLACEMENT NE SONT OFFERTES QUE PAR LE FABRICANT ET DOIVENT ÊTRE INSTALLÉES PAR UNE ENTREPRISE SPÉCIALISÉE.

### INFORMATIONS SUR LA COMMANDE DE PIÈCES :

**ACHAT :** On peut se procurer les accessoires par l'entremise de tous les détaillants locaux Mr. Heater ou directement du fabricant.

#### POUR OBTENIR DES INFORMATIONS SUR LE SERVICE

Appelez sans frais au 800-251-0001 • [www.enerco-mrheater.com](http://www.enerco-mrheater.com)

Nos heures d'ouverture sont de 8 h 30 à 17 h HE, du lundi au vendredi.

Veuillez indiquer le numéro du modèle, la date d'achat et la description du problème dans toutes vos communications avec nous.

| Modèle   | Commencement du Numéro de série |
|----------|---------------------------------|
| MH55FAV  | LN-2700550001001                |
| MH60FAV  | LN-2281600001001                |
| MH85FAV  | LN-2282850001001                |
| MH125FAV | LN-2701250001001                |
| HS55FAV  | LN-1700550001001                |
| HS85FAV  | LN-1700850001001                |
| HS125FAV | LN-1701250001001                |
| PA55FAV  | LN-2220240001001                |
| PA125FAV | LN-2220450001001                |

### GARANTIE LIMITÉE

L'entreprise garantit ce produit contre tout défaut de matériel ou de main-d'œuvre, dans des conditions d'utilisation normale et adéquate, conformément aux instructions de l'entreprise, pour une période de un an à compter de la date de livraison à l'acheteur. L'entreprise réparera ou remplacera, à sa discrétion, les produits retournés port payé par l'acheteur au fabricant dans la période de un an et jugés par l'entreprise comme présentant des défauts de matériel ou de main-d'œuvre.

Si une pièce est endommagée ou manquante, téléphonez à notre service de soutien technique au 800-251-0001.

Adressez toute réclamation relative à la garantie à Service Department, Mr. Heater, Inc., 4560 W. 160TH ST., CLEVELAND, OHIO 44135 États-Unis. Indiquez vos nom, adresse et numéro de téléphone ainsi que les détails de la réclamation. Indiquez-nous également la date d'achat et le nom et l'adresse du détaillant de qui vous avez acheté le produit.

Ce qui est énoncé ci-dessus constitue la responsabilité totale de l'entreprise. Il n'existe aucune autre garantie, expresse ou tacite. Plus précisément, il n'y a aucune garantie concernant l'adéquation à une utilisation particulière ni aucune garantie concernant la qualité marchande. En aucun cas l'entreprise ne saura être tenue responsable des retards causés par des défauts, ni des dommages indirects, ni des dépenses encourues sans son consentement écrit, quelle que soit leur nature. Le coût de la réparation ou du remplacement sera le seul recours possible en cas de violation de garantie. Il n'y a aucune garantie contre une transgression de ce genre ni aucune garantie tacite découlant des usages du commerce ou de la façon habituelle d'échanger. La présente garantie ne s'applique à aucun produit qui a été réparé ou modifié par d'autres que le fabricant si cela influe de quelque façon que ce soit sur la condition de l'appareil ou son fonctionnement, selon notre jugement.

Certains États ou provinces ne permettent pas d'exclure ou de limiter les dommages indirects ou subséquents. Par conséquent, les limitations ou exclusions ci-dessus mentionnées ne vous concernent peut-être pas. La présente garantie vous accorde des droits juridiques précis, mais vous pourriez avoir d'autres droits qui varient selon la province ou l'État.

Mr. Heater, Inc. se réserve le droit d'effectuer des modifications en tout temps, sans préavis ni obligation, aux couleurs, aux spécifications, aux accessoires, aux matériaux et aux modèles.

Mr. Heater, INC., 4560 W. 160TH ST., CLEVELAND, OHIO 44135 É.-U. • (216) 916-3000

Mr. Heater est une marque de commerce déposée d'Mr. Heater Inc.

© 2003, Mr. Heater. Tous droits réservés.



ANSI Z83.7b/CSA 2.14b-2009